



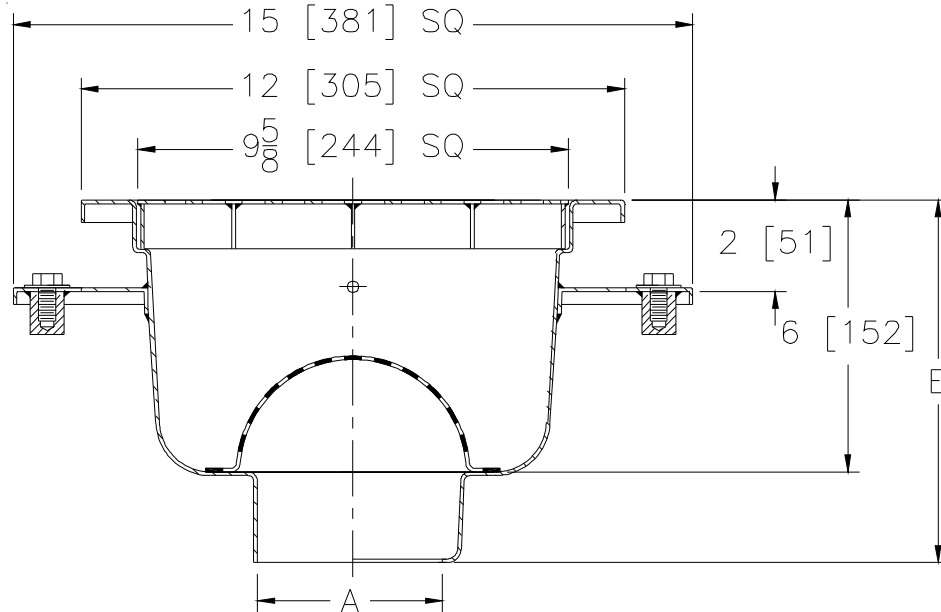
Z1750-KC

12 X 12 [305 x 305] SANI-FLOR RECEPTOR 6 [152]
SUMP DEPTH W/ ANCHOR FLANGE & CLAMP COLLAR

SPECIFICATION SHEET

TAG _____

Dimensional Data (inches and [mm]) are Subject to Manufacturing Tolerances and Change Without Notice



A Pipe Size In. [mm]	Approx. Wt. Lbs. [kg]	Grate Open Area Sq. In. [cm ²]
2, 3, 4 [51, 76, 102]	15 [7]	23 [148]
6 [152]	17 [8]	

ENGINEERING SPECIFICATION: ZURN Z1750-KC

12" x 12" x 6" [305mm x 305mm x 152mm] deep, 16 gage, all Type 304 (CF8) stainless steel light duty Sani-Flor receptor with seepage pan with seepage holes and clamp collar, non-tilt, loose set full grate with 1/2" [13mm] square openings and anti-splash interior dome strainer.

OPTIONS (Check/specify appropriate options)

PIPE SIZE

- 3, 4 [76, 102]
- 2, 3, 4, 6 [51, 76, 102, 152]
- 3, 4 [76, 102]

(Specify size/type) OUTLET

- ___ IC Inside Caulk
- ___ NH No-Hub
- ___ NL Neo-Loc

'E' BODY HT. DIM.

- 8-9/16 [214]
- 8-1/16 [205]
- 7-13/16 [198]

PREFIXES

- ___ Z Type 304 (CF8) Stainless Steel Body*
- ___ ZM Type 316 (CF8M) Stainless Steel

SUFFIXES

- | | | | |
|---------|--|---------|---|
| ___ -DX | Dex-o-tex Flange | ___ -3 | 3/4 Grate |
| ___ -HD | Extra Heavy-Duty Grate | ___ -4 | Full Grate w/ 3 [76] Square Opening |
| ___ -HP | Heel-Proof Grate | ___ -5 | Grate w/ 4 [102] Dia. x 3-3/4 [95] High
Type 304 Stainless Steel Funnel |
| ___ -P | 1/2 [13] Trap Primer Connection | ___ -8 | Grate w/ 8-3/8 x 3-5/8 x 3-3/4 [213 x 92 x 95]
High Type 304 Stainless Steel Oval Funnel |
| ___ -SG | Solid Gasketed Cover | ___ -15 | Solid Cover |
| ___ -TC | Neo-Loc Test Cap Gasket
(3, 4 [76, 102] NL Bottom Outlet Only) | ___ -16 | 1/2 Solid Cover |
| ___ -VP | Vandal-Proof Secured Top | ___ -19 | Full Hinged Grate |
| ___ -Y | Sediment Bucket | ___ -20 | Full Hinged Solid Cover |
| ___ -YS | Suspended Sediment Bucket | | |
| ___ -1 | (Less) Grate | | |
| ___ -2 | 1/2 Grate | | |

* Regularly furnished unless otherwise specified.