



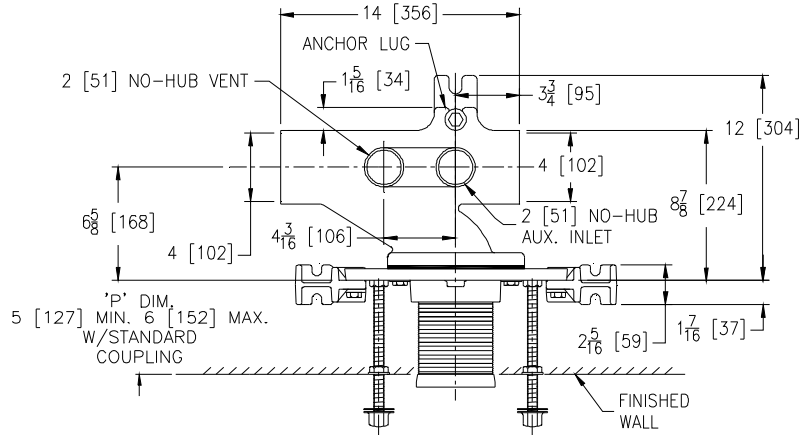
Z1203-N4-JC

ADJUSTABLE HORIZONTAL SIPHON JET
NO-HUB WITH AUXILIARY INLET

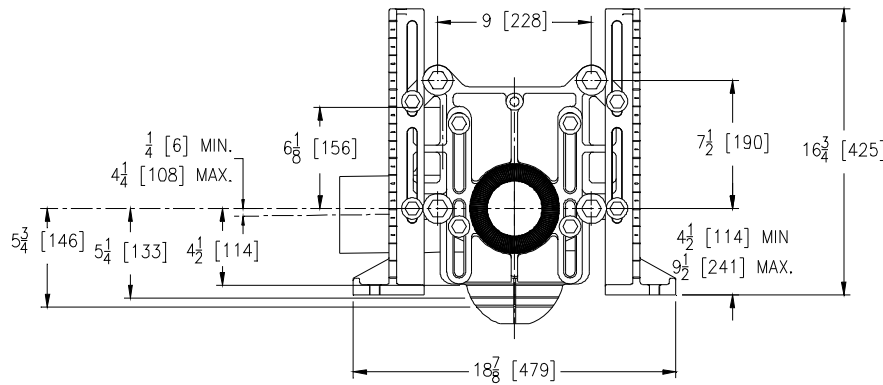
SPECIFICATION SHEET

TAG _____

Dimensional Data (inches and [mm]) are Subject to Manufacturing Tolerances and Change Without Notice



Product Number	Approx. Wt. Lbs. [kg]
Z1203-NL4-JC	67 [30]
Z1203-NR4-JC	



Note:

1. Min. 'P' Dim. Obtainable = 2 [51] with cut standard coupling
2. Feet bolted to floor using min. 1/2 [13] dia. bolts and back slots on carrier feet.
3. Back anchor foot required for secure installation.

ENGINEERING SPECIFICATION: ZURN Z1203-N()4-JC

Adjustable, horizontal siphon jet water closet "Rigid System" with 4" [102mm] No-Hub connections. Complete with Dura-Coated cast iron right hand or left hand main fitting, with 2" [51mm] vent and 2" [51mm] auxiliary inlet with sanitary sweep, adjustable gasketed face plate, universal floor mounted foot supports, corrosion resistant adjustable ABS coupling with integral test cap, fixture bolts, trim, stud protectors, rear anchor tie down and bonded "Neo-Seal" gasket.

OPTIONS (Check/specify appropriate options)

- ___ Z1203-NR4-JC 4 [102] No-Hub Right Hand Inlet with Flow to Left
- ___ Z1203-NL4-JC 4 [102] No-Hub Left Hand Inlet with Flow to Right

PREFIXES

- ___ Z D.C.C.I. System with Zurn "ZZ" Adjustable Coupling*
- ___ ZQ D.C.C.I. System with Non-Adjustable Coupling

SUFFIXES

- ___ -A Auxiliary Support Assembly (for 'P' Dim. Greater Than 18 [457])
- ___ -B Blowout Type Fixture Support
- ___ -CC Corrosion Resistant 6 [152] Long Cast Iron Coupling
- ___ -CL Coupling Length Other Than Standard 6 [152] (Specify Length Required)
- ___ -F Floor Mounted, Back Outlet Fixture Support
- ___ -M Auxiliary Foot Support (for 'P' Dim. 10 - 18 [254 - 457])
- ___ -PF Pre-Fab Foot
- ___ -PS Pre-Fab Slotted Foot
- ___ -RYK Unistrut Pre-Fab Foot
- ___ -VP Vandal-Proof Trim
- ___ -X3 3 [76] Foot Extension Assembly (See Z1200-FT-EXT-3)
- ___ -X4 4 [102] Foot Extension Assembly (See Z1200-FT-EXT-4)
- ___ -45 Finishing Frame for Siphon Jet System (See Z1200-FINFRAME-SJ)
- ___ -50 Flush Valve Supply Support for Water Closets (See Z1200-SPLY-SPRT-WC)

* Regularly furnished unless otherwise specified.