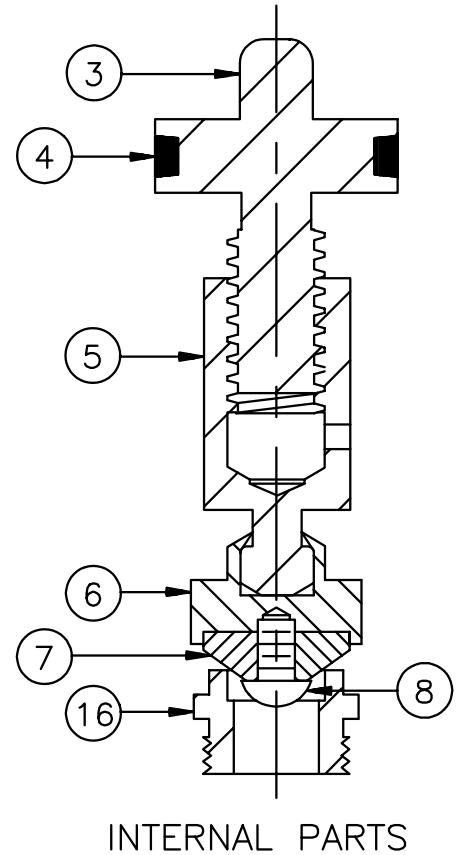
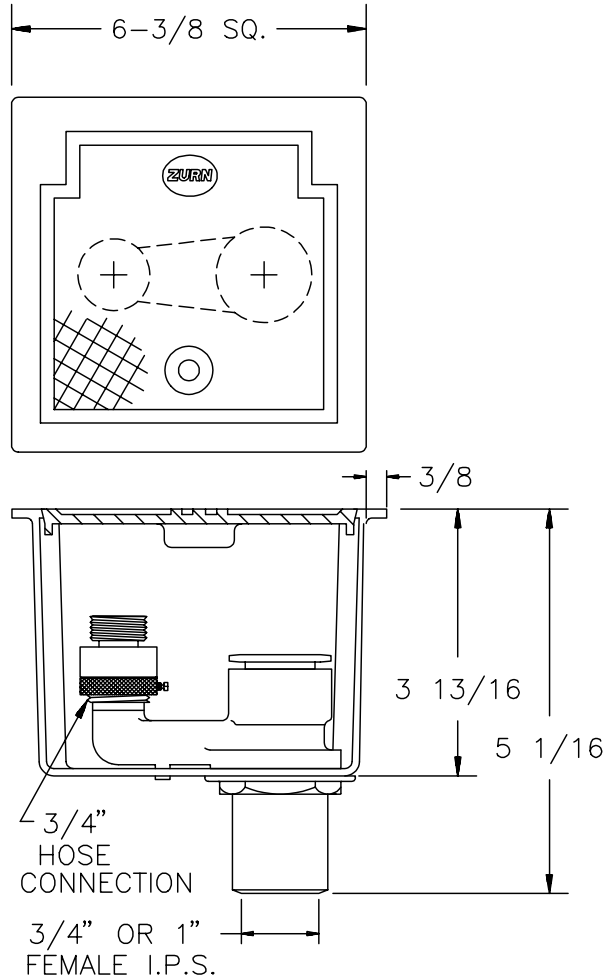




**Z-1375-80 GROUND HYDRANT**  
 Encased, Moderate Climate,  
 Interior Use with Heavy Duty Cover and  
 Vacuum Breaker

TAG \_\_\_\_\_

Dimensions Subject to Manufacturing Tolerances



Approx. Wt. Lbs.
8

**ENGINEERING SPECIFICATION:** ZURN Z-1375-80 Encased, moderate climate ground hydrant, for flush with grade or finished floor installation. Complete with all bronze interior parts, replaceable bronze seat and seat washer, and non-turning operating coupling with free-floating compression closure valve and screw on type vacuum breaker. Nickel bronze box with heavy duty stainless hinged cover.

**OPTIONS** (Check/specify appropriate options)

**SUFFIXES**

- \_\_\_\_\_ **-HD** Heavy Duty Cover
- \_\_\_\_\_ **-RK** Hydrant Parts Repair Kit
- \_\_\_\_\_ **-6** Polished Bronze Box
- \_\_\_\_\_ **-7** Plain Bronze Box
- \_\_\_\_\_ **-10** Polished Nickel Bronze Box
- \_\_\_\_\_ **-17** 1/4" Drain Port in Box

**PARTS LIST**

Item	Name	Quan.
3	Operating Screw	1
4	O-Ring	1
5	Operating Coupling	1
6	Washer Guide	1
7	Washer	1
8	Screw	1
16	Removable Seat	1

REV.	DATE: 2/8/94	C.N. NO. 69531
DWG. NO. P-13917 PRODUCT NO. Z-1375-80		