



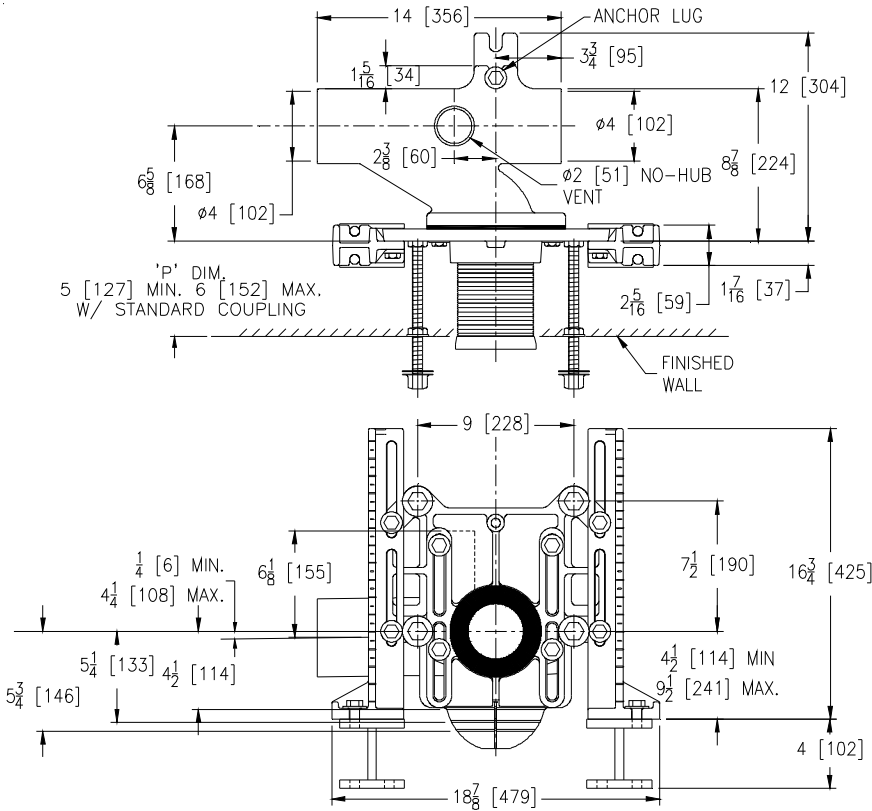
# Z1203-N-X4

ADJUSTABLE HORIZONTAL SIPHON JET  
NO-HUB W/ 4 INCH [102] FOOT EXTENSION

SPECIFICATION SHEET

TAG \_\_\_\_\_

Dimensional Data (inches and [ mm ]) are Subject to Manufacturing Tolerances and Change Without Notice



Product Number	Approx. Wt. Lbs. [kg]
Z1203-NL4-X4	67 [30]
Z1203-NR4-X4	

**Note:**

1. Min. 'P' Dim. Obtainable = 2 [51] with cut standard coupling
2. Feet bolted to floor using min. 1/2 [13] dia. bolts and back slots on carrier feet.
3. Back anchor foot required for secure installation.

**ENGINEERING SPECIFICATION: ZURN Z1203-N(-)-X4**

Adjustable, horizontal siphon jet water closet Rigid System with 4" [102mm] No-Hub connections. Complete with Dura-Coated cast iron right hand or left hand fitting, with 2" [51mm] vent, adjustable gasketed faceplate, universal floor mounted foot supports with 4 inch [102mm] foot extensions, corrosion resistant adjustable ABS coupling with integral test cap, fixture bolts, trim, stud protectors, rear anchor tie down, and bonded Neo-Seal gasket.

**OPTIONS** (Check/specify appropriate options)

- \_\_\_ Z1203-NR4-X4 4 [102] No-Hub Right Hand Inlet with Flow to Left
- \_\_\_ Z1203-NL4-X4 4 [102] No-Hub Left Hand Inlet with Flow to Right

**PREFIXES**

- \_\_\_ Z D.C.C.I. System with Zurn "ZZ" Adjustable Coupling\*
- \_\_\_ ZQ D.C.C.I. System with NPT Faceplate, Non-Adjustable Coupling

**SUFFIXES**

- |   |   |
|---|---|
| ___ -A Auxiliary Support Assembly (for 'P' Dim. Greater Than 18 [457])        | ___ -M Auxiliary Foot Support (for 'P' Dim. 10 - 18 [254 - 457])              |
| ___ -B Blowout Type Fixture Support   | ___ -PF Pre-Fab Foot  |
| ___ -CC Corrosion Resistant Cast Iron Coupling (6 - 12 [151 - 305])           | ___ -PS Pre-Fab Slotted Foot  |
| ___ -CL Coupling Length Other than Standard 6 [152] (Specify Length Required) | ___ -VP Vandal-Proof Trim   |
| ___ -F Floor Mounted, Back Outlet Fixture Support                             | ___ -45 Finishing Frame for Siphon Jet System (See Z1200-FINFRAME-SJ)         |
| ___ -JC 2 [51] Auxiliary Inlet w/ Sanitary Sweep on Faceplate Centerline      | ___ -50 Flush Valve Supply Support for Water Closets (See Z1200-SPLY-SPRT-WC) |

\* Regularly furnished unless otherwise specified.