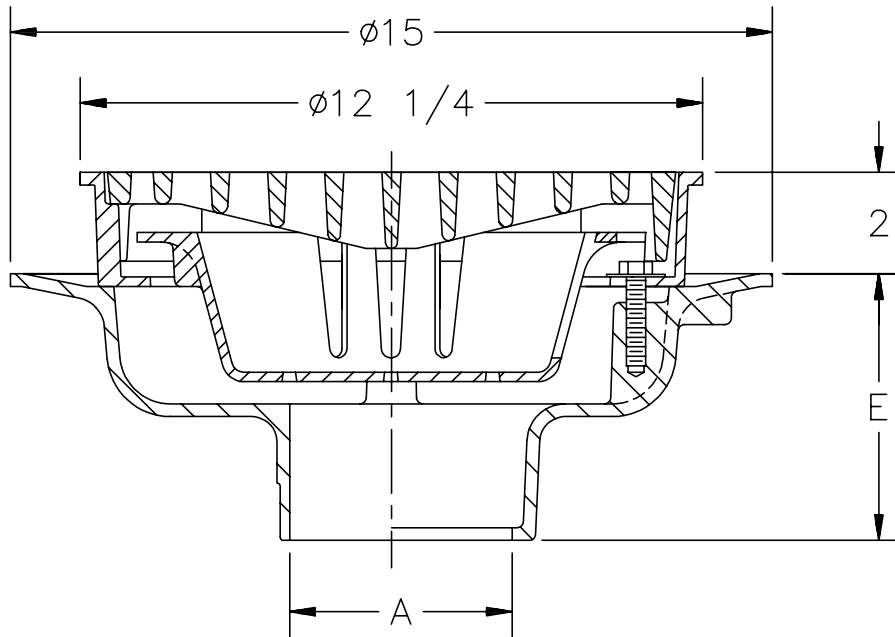




Z-541-92
12" DIAMETER HEAVY DUTY DRAIN

TAG: _____

Dimensional Data (inches and [mm]) are Subject to Manufacturing Tolerances and Change Without Notice



A- Pipe Size In.	Approx. Wt. Lbs.	Grate Open Area Sq. In.
2-3-4-5-6	52	50
8-10	54	

ENGINEERING SPECIFICATION: ZURN Z-541-92 12" Diameter top drain. Dura-Coated cast iron body with bottom outlet, seepage pan and combination membrane flashing clamp and frame for anti-tilt heavy duty slotted grate with suspended sediment bucket.

OPTIONS (Check/specify appropriate options)

OUTLET (Specify type)

- _____ **IC** Inside Caulk
- _____ **IG** Inside Caulk w/Sealtrol Gskt.
- _____ **IP** Threaded
- _____ **NH** No-Hub
- _____ **NL** Neo-Loc
- _____ **NL** Neo-Loc

PIPE SIZE (Specify size)

- _____ 2" thru 6", 8", 10"
- _____ 2", 3", 4", 6"
- _____ 2" thru 6", 8", 10"
- _____ 2" thru 6", 8", 10"
- _____ 2" thru 4"
- _____ 5", 6"

'E' BODY HT. DIMENSION

- _____ 5-1/4"
- _____ 5-1/4"
- _____ 3-3/4"
- _____ 5-1/4"
- _____ 4-5/8"
- _____ 5-1/2"

PREFIXES

- _____ **Z-** D.C.C.I. Body and Grate*
- _____ **ZB-** D.C.C.I. Body with Polished Bronze Grate (Add 3/16" to 2" Dim.)
- _____ **ZN-** D.C.C.I. Body with Polished Nickel Bronze Grate (Add 3/16" to 2" Dim.)

SUFFIXES

- _____ **-DG** Duresist Grate
- _____ **-DX** Dex-o-tex Flange (See Z-532)
- _____ **-G** Galvanized Cast Iron
- _____ **-LY** (Less) Bucket
- _____ **-P** Trap Primer Connection
- _____ **-S** Secondary Strainer
- _____ **-SS** Stainless Mesh Liner for Bucket
- _____ **-V** Backwater Valve (See Z-1099)
- _____ **-VP** Vandal Proof Secured Top
- _____ **-90** 90° Threaded Side Outlet Body (2" thru 6")

*REGULARLY FURNISHED UNLESS OTHERWISE SPECIFIED

REV.	DATE: 4/20/93	C.N. NO. 68999
DWG. NO. P-13814 PRODUCT NO. Z-541-92		