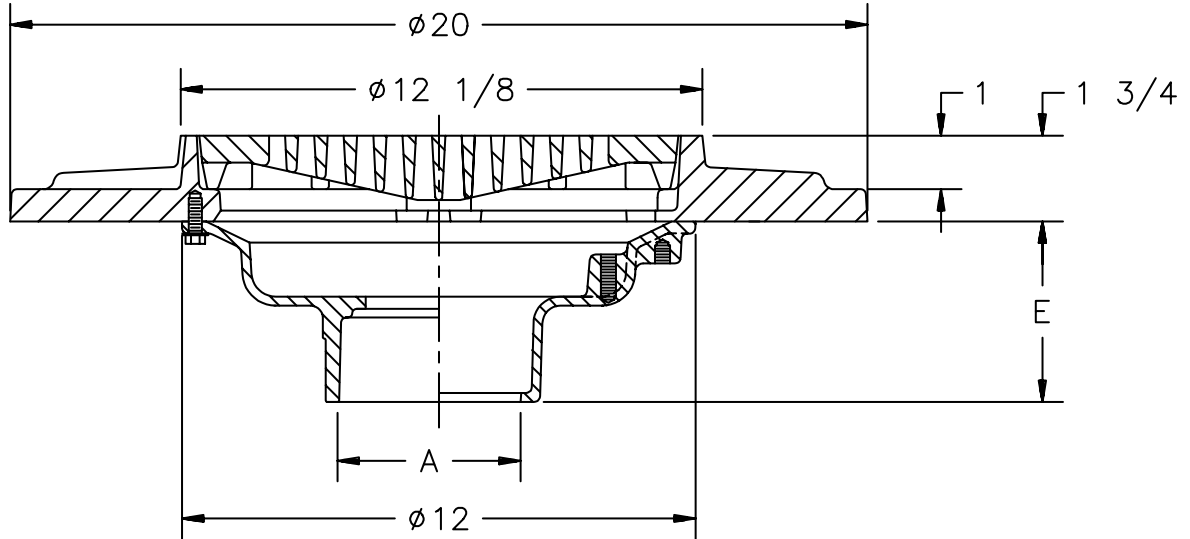




**Z-534-77**  
**12" DIAMETER PARKING DECK**  
**DRAIN WITH SUPPORT FLANGE**

**TAG** \_\_\_\_\_

Dimensional Data (inches and [ mm ]) are Subject to Manufacturing Tolerances and Change Without Notice



A- Pipe Size In.	Approx. Wt. Lbs.	Grate Open Area Sq. In.
2-3-4-5-6	48	30

**ENGINEERING SPECIFICATION:** ZURN Z-534-77 12" Diameter Parking Deck Drain, Dura-Coated cast iron body with bottom outlet, seepage pan and combination membrane flashing clamp and heavy duty support flange, with heavy duty slotted grate.

**OPTIONS** (Check/specify appropriate options)

**OUTLET** (Specify type)

- \_\_\_\_\_ **IC** Inside Caulk
- \_\_\_\_\_ **IG** Inside Caulk w/Sealtrol Gskt.
- \_\_\_\_\_ **IP** Threaded
- \_\_\_\_\_ **NH** No-Hub
- \_\_\_\_\_ **NL** Neo-Loc

**PIPE SIZE**

(Specify size)

- \_\_\_\_\_ 2" thru 6"
- \_\_\_\_\_ 2" thru 6"
- \_\_\_\_\_ 2" thru 6"
- \_\_\_\_\_ 2" thru 6"
- \_\_\_\_\_ 2" thru 4"

**'E' BODY HT. DIMENSION**

- 3-3/4"
- 3-3/4"
- 2-3/4"
- 4-3/4"
- 3-1/2"

**PREFIXES**

- \_\_\_\_\_ **Z-** D.C.C.I. Body and Grate\*
- \_\_\_\_\_ **ZB-** D.C.C.I. Body with Polished Bronze Top (Add 3/16" to 2" Dim.)
- \_\_\_\_\_ **ZN-** D.C.C.I. Body with Polished Nickel Bronze Top (Add 3/16" to 2" Dim.)

**SUFFIXES**

- \_\_\_\_\_ **-C** Underdeck Clamp
- \_\_\_\_\_ **-DG** Duresist Grate
- \_\_\_\_\_ **-G** Galvanized Cast Iron
- \_\_\_\_\_ **-VP** Vandal Proof Secured Top
- \_\_\_\_\_ **-XJ** Vertical Expansion Joint (See Z-190)

<b>REV. A</b>	<b>DATE: 2/27/92</b>	<b>C.N. NO. 68132</b>
<b>DWG. NO. P-13673 PRODUCT NO. Z-534-77</b>		

\*REGULARLY FURNISHED UNLESS OTHERWISE SPECIFIED