



Z886-HDS-SW2

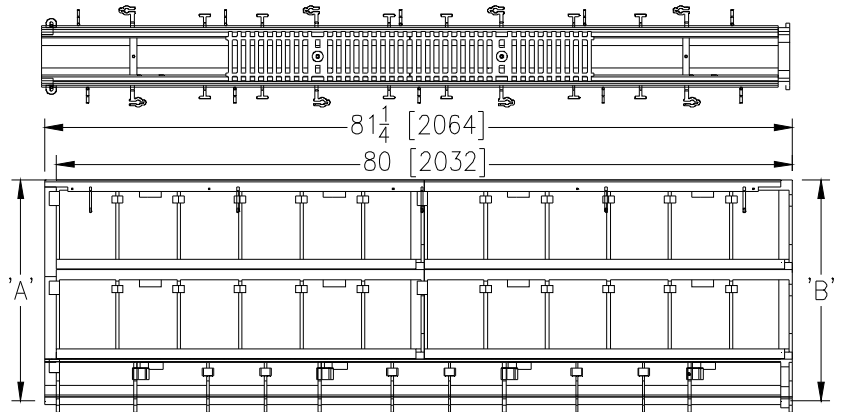
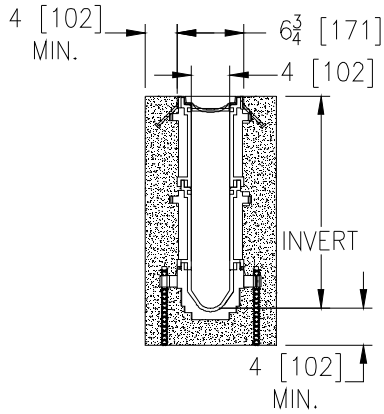
6-3/4 [171] WIDE REVEAL TRENCH DRAIN SYSTEM WITH
STAINLESS STEEL EXTRA-HEAVY-DUTY FRAME
ASSEMBLY AND TWO 9 [229] SIDEWALL EXTENSIONS

SPECIFICATION SHEET

TAG _____

Dimensional Data (inches and [mm]) are Subject to Manufacturing Tolerances and Change Without Notice

SPECIFYING ENGINEER IS RESPONSIBLE FOR
CONCRETE ENCASEMENT AND REINFORCING
BASED UPON APPLICATION AND LOCAL CODES



NOTE: + Actual Channel length is 81 1/4 [2064] to allow for overlap.

ENGINEERING SPECIFICATION: Zurn Z886-HDS-SW2 Channels shall be 80 [2032] long, 6-3/4 [171] wide reveal and have a 4 [102] throat. Modular channel sections shall be made of 0% water absorbent High Density Polyethylene (HDPE). Shall have a positive mechanical connection between channel sections that will not separate during the installation and shall mechanically lock into the concrete surround every 10 [254]. Channels shall weigh less than 2.31 lbs.[1.05kg] per linear foot, have a smooth, 1-1/2 [38] radiused self cleaning bottom with a Manning's coefficient of 0.009 and 0.75% or neutral 0% built in slope. Channels shall have rebar clips standard to secure trench in its final location. Channels shall have HDPE SW2 Side Walls attached for an additional 18 [457] added to the standard channel invert for additional flow capability shown in chart below. Shall be provided with standard SBG grates that lock down to frame. Zurn 5-3/8 [137] wide reveal Stainless Steel cast Bar Grate conforming to ASTM specification A351, Grade CF8 (type 304), cast grate is rated class E per the DIN EN1433 top load classification. Supplied in 20 [508] nominal lengths with 5/16 [8] wide slots, and 3/4 [19] bearing depth. Grate has an open area of 23.93 sq. in per ft. [50,651 sq. mm per meter]. The 0.105 [2.66] thick Heavy-Duty Stainless Steel Frame Assembly conforms to ASTM specification A-240 (type 304), with 10 - 4 [102] long concrete anchors per 80 [2032]. Grate lockdown bars are to be integral to the frame. All welds must be performed by a certified welder per ASTM standard AWS D1.6. Frames Shall be produced in the U.S.A.

PREFIX OPTIONS (Check/specify appropriate options)

___ Z Six-foot, Eight-inch High Density Polyethylene (HDPE)*

SUFFIX OPTIONS (Check/specify appropriate options)

Outlet Adapters Add/Each

- ___ -E1 Closed End Cap
- ___ -E2 2 [51] No-Hub End Outlet
- ___ -E3 3 [76] No-Hub End Outlet
- ___ -E4 4 [102] No-Hub End Outlet
- ___ -E6 6 [152] No-Hub End Outlet
- ___ -U2 2 [51] No-Hub Bottom Outlet
- ___ -U3 3 [76] No-Hub Bottom Outlet
- ___ -U4 4 [102] No-Hub Bottom Outlet
- ___ -U6 6 [152] No-Hub Bottom Outlet

Frame Options (Load Classifications are per DIN EN1433)

___ -LD Light Duty Grates on Heavy Duty Frame

Grate Options (Load Classifications are per DIN EN1433)

- ___ -BDC Black Acid Resistant Epoxy Coated Ductile Grate - Class C
- ___ -BDE Black Acid Resistant Epoxy Coated Ductile Grate - Class E
- ___ -DBG Ductile Iron Cast Bar Grate - Class C
- ___ -DC Ductile Iron Solid Cover - Class C
- ___ -DGC Ductile Iron Slotted Grate - Class C
- ___ -DGE Ductile Iron Slotted Grate - Class E
- ___ -HPD Heel-Proof Ductile Slotted Grate - Class B
- ___ -HPDE Heel-Proof Ductile Slotted Grate - Class E

Miscellaneous Options

- ___ -VP Vandal-Proof Lockdown
- ___ -JC Joint Connector

Decorative Grate Options (Load Classifications are per DIN EN1433)

___ -SBG Stainless Steel Bar Grate - Class E *

MADE in the U.S.A. (Load Classifications are per DIN EN1433)

- ___ -BDE-USA Black Acid Resistant Epoxy Coated Ductile Grate - Class E
- ___ -DGC-USA Ductile Iron Slotted Grate - Class C (Substitute DGE-USA)
- ___ -DGE-USA Ductile Iron Slotted Grate - Class E
- ___ -HPDE-USA Heel-Proof Ductile Slotted Grate - Class E
- ___ -PPC Plastic Perforated Grate - Class C

Trench No.	'A' Shallow Inv.	'B' Deep Inv.	Flow		
			(cfs)	(gpm)	(lps)
8601SW2	21.50 [546]	22.10 [561]	2.33	1045	66
8602SW2	22.10 [561]	22.70 [577]	2.40	1078	68
8603SW2	22.70 [577]	23.30 [592]	2.47	1110	70
8603NSW2	23.30 [592]	23.30 [592]	-	-	-
8604SW2	23.30 [592]	23.90 [607]	2.55	1142	72
8605SW2	23.90 [607]	24.50 [622]	2.62	1175	74
8606SW2	24.50 [622]	25.10 [638]	2.69	1207	76
8606NSW2	25.10 [638]	25.10 [638]	-	-	-
8607SW2	25.10 [638]	25.70 [653]	2.76	1239	78
8608SW2	25.70 [653]	26.30 [668]	2.83	1272	80
8609SW2	26.30 [668]	26.90 [683]	2.91	1304	82
8610SW2	26.90 [683]	27.50 [699]	2.98	1336	84
8611SW2	27.50 [699]	28.10 [714]	3.05	1369	86
8612SW2	28.10 [714]	28.70 [729]	3.12	1401	88
8612NSW2	28.70 [729]	28.70 [729]	-	-	-
8613SW2	28.70 [729]	29.30 [744]	3.19	1433	90
8614SW2	29.30 [744]	29.90 [759]	3.27	1466	92
8615SW2	29.90 [759]	30.5 [775]	3.34	1498	94

Miscellaneous Options

___ -DB Bottom Dome Strainer

REV. B DATE: 01/17/12 C.N. NO. 122678

DWG. NO. 302001 PRODUCT NO. Z886-HDS-SW2

*REGULARLY FURNISHED UNLESS OTHERWISE SPECIFIED

ZURN INDUSTRIES, LLC ♦ SPECIFICATION DRAINAGE OPERATION ♦ 1801 Pittsburgh Ave. ♦ Erie, PA 16514

Phone: 814455-0921 ♦ Fax: 814454-7929 ♦ World Wide Web: www.zurn.com

In Canada: ZURN INDUSTRIES LIMITED ♦ 3544 Nashua Drive ♦ Mississauga, Ontario L4V1L2 ♦ Phone: 905405-8272 Fax: 905405-1292