



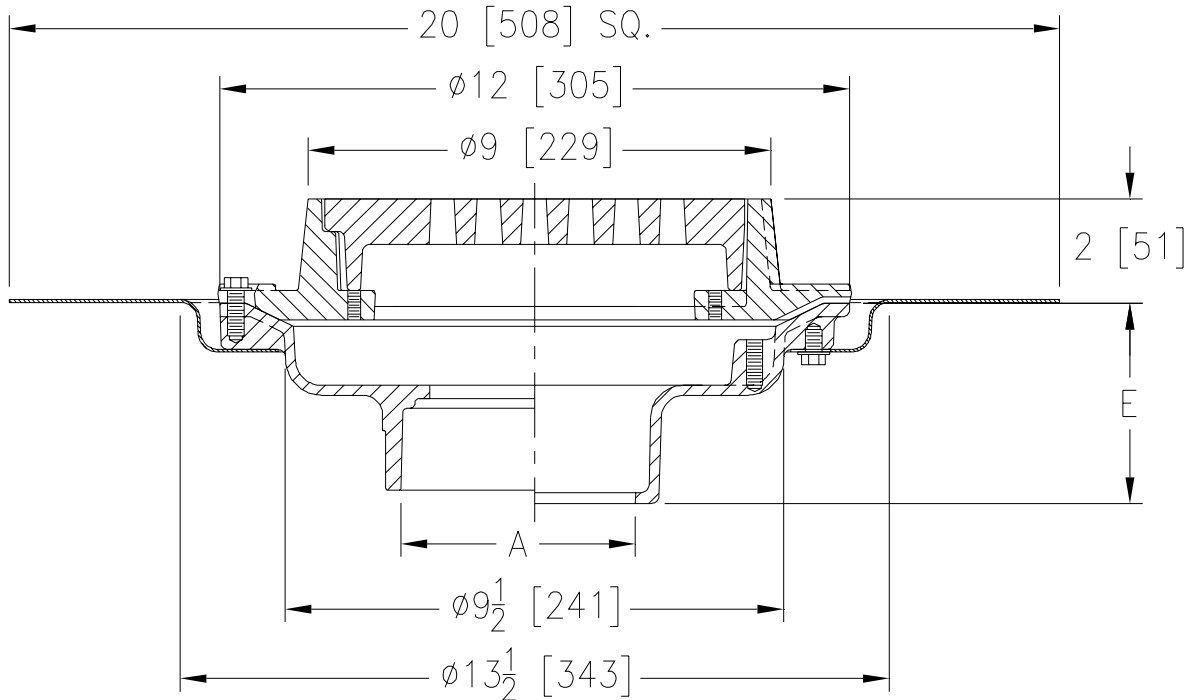
Z508-87

SPECIFICATION SHEET

9 [229] EXTRA-HEAVY-DUTY DRAIN W/ TOP-SET® DECK PLATE

TAG _____

Dimensional Data (inches and [mm]) are Subject to Manufacturing Tolerances and Change Without Notice



A Pipe Size In.	Approx. Wt. Lbs. [kg]	Grate Open Area Sq. In. [cm ²]
2-3-4 [51-76-102]	42 [19]	18 [116]
6 [152]	40 [18]	

ENGINEERING SPECIFICATION: ZURNZ508-87

9 [229] Diameter top drain, Galvanized cast iron body with bottom outlet, seepage pan, combination membrane flashing clamp, frame for extra-heavy-duty cast iron deep flange slotted grate, and top-set® deck plate.

OPTIONS (Check/specify appropriate options)

PIPE SIZE

- 2-3-4 [51-76-102]
- 2-3-4 [51-76-102]
- 2-3-4 [51-76-102]
- 2, 3, 4 [51, 76, 102]
- 6 [152]
- 2-3-4 [51-76-102]

(Specify size/type) OUTLET

- ___ IC Inside Caulk
- ___ IG Inside Caulk w/Sealtrol Gskt.
- ___ IP Threaded
- ___ NH No-Hub
- ___ NH No-Hub
- ___ NL Neo-Loc

'E' BODY HT. DIM.

- 3 3/4 [95]
- 3 3/4 [95]
- 2 3/4 [70]
- 4 3/4 [121]
- 5 1/4 [133]
- 3 9/16 [90]

PREFIXES

- ___ Z Galvanized Cast Iron Body and Top*

SUFFIXES

- | | |
|--|--|
| ___ -AR Acid Resisting Epoxy Coated Cast Iron | ___ TC Neo-Loc Test Cap Gasket
(2 [51]-4 [102] NL Bottom Outlet Only) |
| ___ -DG Duresist Grate | ___ -TS Top Secured with Slotted Screws |
| ___ -F Extension Frame (Specify Total Height Req'd.) | ___ -V Backwater Valve (See Z1099) |
| ___ -HP Heel-Proof Grate | ___ -VP Vandal-Proof Secured Top |
| ___ -P Trap Primer Connection | ___ -Y Sediment Bucket |
| ___ -S Secondary Strainer | |
| ___ -SC Solid Cover with Lift Handle | |
| ___ -SG Solid Gasketed Cover with Lift Handle | |

*REGULARLY FURNISHED UNLESS OTHERWISE SPECIFIED

REV.	DATE: 11/21/08	C.N. NO. 99414
DWG. NO. P-15626 PRODUCT NO. Z508-87		