



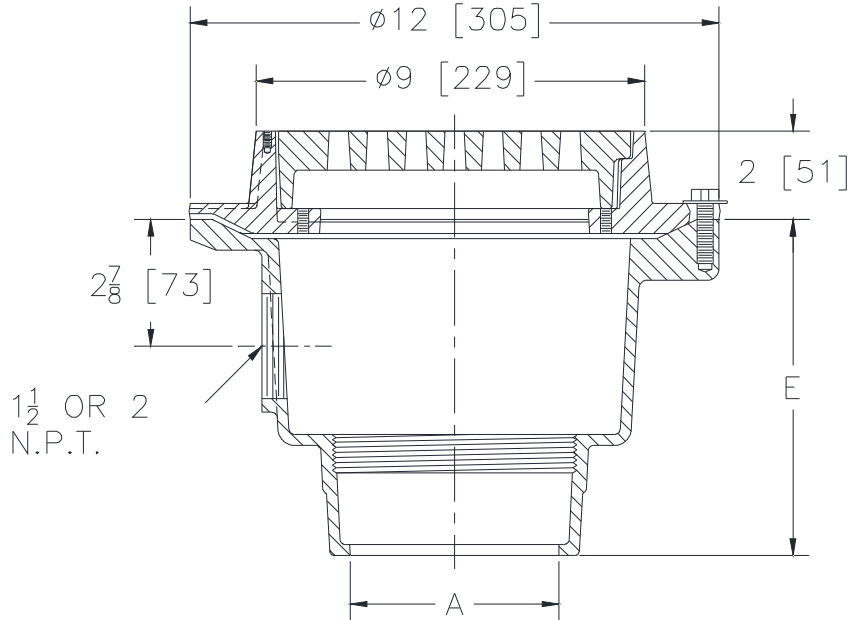
Z511-J

9 [229] DIAMETER HEAVY-DUTY DRAIN W/ AUXILIARY INLET

SPECIFICATION SHEET

TAG _____

Dimensional Data (inches and [mm]) are Subject to Manufacturing Tolerances and Change Without Notice



A Pipe Size In [mm]	Approx. Wt. Lbs. [kg.]	Grate Open Area Sq. In. [cm ²]
2,3,4 [51,76,102]	40 [18]	18 [116]

ENGINEERING SPECIFICATION: ZURN Z511-J

9" [229mm] Diameter top drain, Dura-Coated cast iron deep sump body with auxiliary inlets (Specify 1-1/2" or 2" N.P.T., number & location), connection bottom outlet, seepage pan and combination membrane flashing clamp and frame for heavy duty cast iron deep flange grate.

OPTIONS (Check/specify appropriate options)

PIPE SIZE

- 3,4 [76,102]
- 3,4 [76,102]
- 2,3,4 [51,76,102]
- 3,4 [76,102]

(Specify size/type) OUTLET

- ___ IC Inside Caulk
- ___ IG Inside Gasket
- ___ NL Neo-Loc
- ___ IP Threaded

'E' BODY HT. DIM.

- 7-5/8 [194]
- 7-5/8 [194]
- 6-7/8 [175]
- 7-5/8 [194]

PREFIXES

- ___ Z D.C.C.I. Body and Grate*
- ___ ZB D.C.C.I. Body with Polished Bronze Grate (Add 3/16 [5] to 2 [51] Dim. & 5/8 [16] to 9 [229] Dim.)
- ___ ZN D.C.C.I. Body with Polished Nickel Bronze Grate (Add 3/16 [5] to 2 [51] Dim. & 5/8 [16] to 9 [229] Dim.)

SUFFIXES

- ___ -AR Acid Resisting Epoxy Coated Finish
- ___ -BT Bell Trap
- ___ -DG Duresist Grate
- ___ -F Extension Frame (Specify total Height Req'd.)
- ___ -G Galvanized Cast Iron
- ___ -HP Heel-Proof Grate
- ___ -P Trap Primer Connection
- ___ -S Secondary Strainer
- ___ -SC Solid Cover w/ Lift Handle
- ___ -SG Solid Gasketed Cover
- ___ -TC Neo-Loc Test Cap Gasket (2,3,4 [51,76,102] NL Bottom Outlet Only)
- ___ -TS Top Secured with Slotted Screws
- ___ -V Backwater Valve (For 3,4 [76,102] IC,IP, or 3 [76] IG Connections only)
- ___ -VP Vandal-Proof Secured Top
- ___ -W Winter Closure Plug (For 3,4 [76,102] IC,IP, or 3 [76] IG Connections only)
- ___ -Y Sediment Bucket

* Regularly furnished unless otherwise specified.