



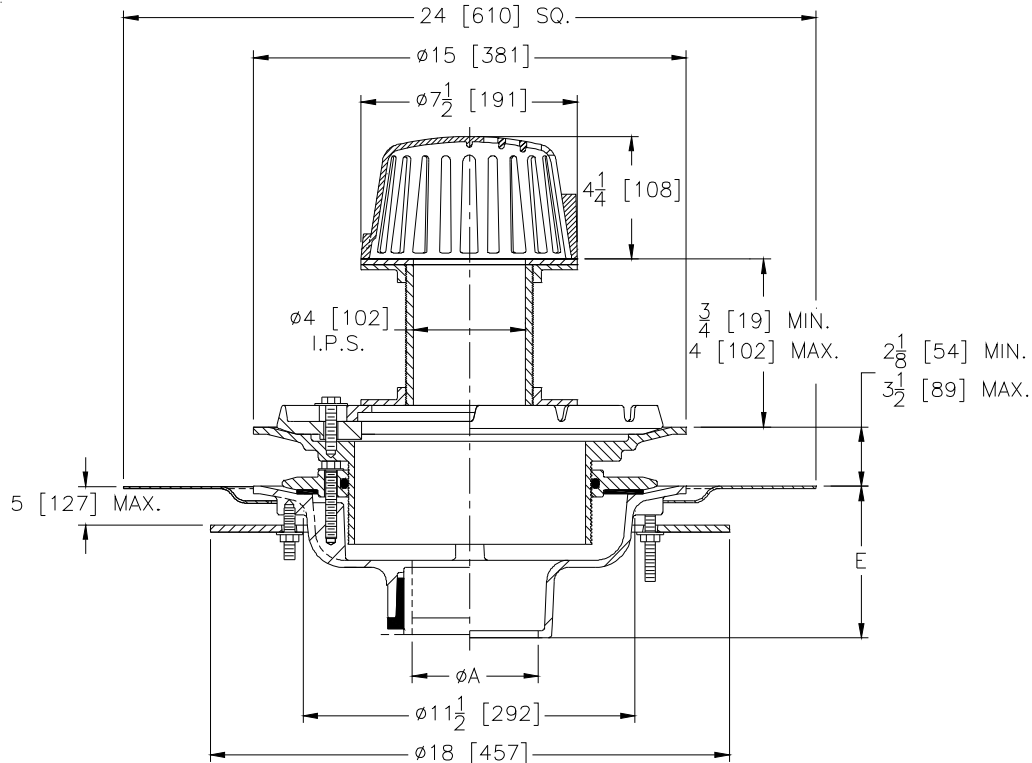
# Z100-AW-C-EA-R

15 [381] DIAMETER DRAIN W/ ADJUSTABLE WATER LEVEL REGULATOR, UNDERDECK CLAMP, ADJUSTABLE EXTENSION, AND ROOF SUMP RECEIVER

SPECIFICATION SHEET

TAG \_\_\_\_\_

Dimensional Data (inches and [ mm ]) are Subject to Manufacturing Tolerances and Change Without Notice



A Pipe Size in [mm]	Approx Wt. lbs [kg]	Dome Open Area in <sup>2</sup> [cm <sup>2</sup> ]
2,3,4 [51,76,102]	46 [21]	42 [271]
6 [152]	47 [21]	
8 [203]	48 [22]	

**ENGINEERING SPECIFICATION:** ZURN Z100-AW-C-EA-R  
15" [381mm] Diameter roof drain. Dura-Coated cast iron body, with combination membrane flashing clamp/gravel guard, adjustable extension, secondary clamping collar with o-ring, adjustable standpipe, roof sump receiver, under-deck clamp, and cast iron dome strainer

**OPTIONS** (Check/specify appropriate options)

**PIPE SIZE**

- 3,4,6 [76,102,152]
- 2,3,4,6, 8 [51,76,102,152,203]
- 2,3,4,6, 8 [51,76,102,152,203]
- 2,3,4 [51,76,102]

(Specify size/type) **OUTLET**

- \_\_\_\_\_ IC Inside Caulk
- \_\_\_\_\_ IP Threaded
- \_\_\_\_\_ NH No-Hub
- \_\_\_\_\_ NL Neo-Loc

**E BODY HT. DIM.**

- 5-1/4 [133]
- 3-3/4 [95]
- 5-1/4 [133]
- 4-5/8 [117]

**PREFIXES**

- \_\_\_\_\_ Z D.C.C.I. Body with Cast Iron Dome\*
- \_\_\_\_\_ ZA D.C.C.I. Body with Aluminum Dome

**SUFFIXES**

- \_\_\_\_\_ -AR Acid Resistant Epoxy Coated
- \_\_\_\_\_ -E Static Extension 1 [25] thru 4 [102] (Specify Ht.)
- \_\_\_\_\_ -G Galvanized Cast Iron
- \_\_\_\_\_ -SC Secondary Clamping Collar
- \_\_\_\_\_ -SS Stainless Mesh Screen Over Dome
- \_\_\_\_\_ -TC Neo-Loc Test Cap Gasket  
(2,3,4 [51,76,102] NL Bottom Outlet Only)
- \_\_\_\_\_ -VP Vandal-Proof Secured Dome
- \_\_\_\_\_ -90 90° Threaded Side Outlet Body  
(2,3,4,6 [51,76,102,152])

\* Regularly furnished unless otherwise specified.