



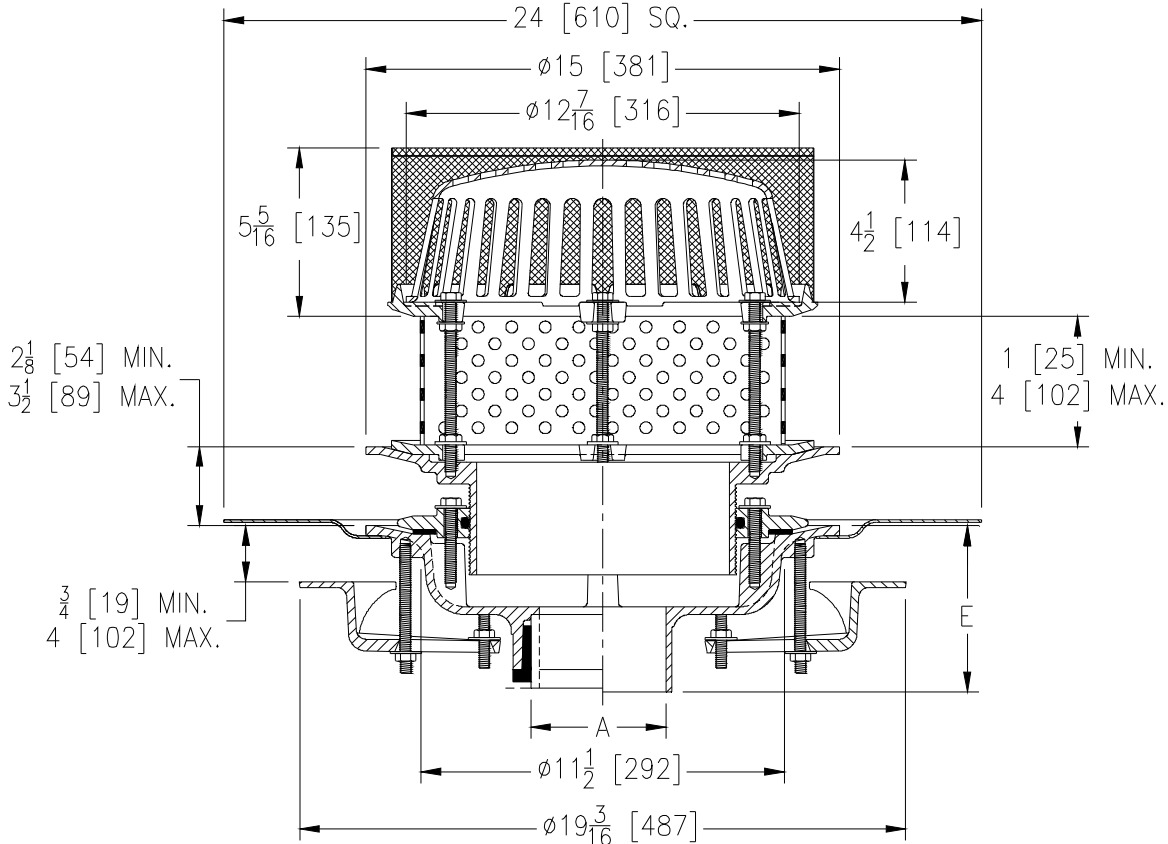
ZA100-238

15 [381] DIA. ROOF DRAIN W/ UNDERDECK CLAMP, ADJUSTABLE EXTENSION, ROOF SUMP RECEIVER, ST'L. STEEL PERFORATED EXTENSION AND ALUMINUM DOME STRAINER WITH BRONZE MESH SCREEN

SPECIFICATION SHEET

TAG _____

Dimensional Data (inches and [mm]) are Subject to Manufacturing Tolerances and Change Without Notice



A Pipe Size In.	Approx. Wt. Lbs. [kg]	Dome Open Area Sq. In. [cm ²]
2,3,4 [51,76,102]	49 [22]	103 [665]
5,6 [127,152]	50 [23]	
8 [203]	49 [22]	

ENGINEERING SPECIFICATION: ZURN ZA100-238

15 [381] Diameter roof drain. Dura-Coated cast iron body with combination membrane flashing clamp/gravel guard, adjustable extension, underdeck clamp, roof sump receiver, stainless steel perforated extension, and aluminum dome strainer with bronze mesh screen.

OPTIONS (Check/specify appropriate options)

PIPE SIZE

- 2 thru 6,8 [51 thru 152,203]
- 2 thru 6,8 [51 thru 152,203]
- 2 thru 6,8 [51 thru 152,203]
- 2,3,4 [51,76,102]
- 6 [152]

(Specify size/type) **OUTLET**

- _____ IC Inside Caulk
- _____ IP Threaded
- _____ NH No-Hub
- _____ NL Neo-Loc
- _____ NL Neo-Loc

E BODY HT. DIM.

- 5 1/4 [133]
- 3 3/4 [95]
- 5 1/4 [133]
- 4 9/16 [116]
- 5 7/16 [112]

PREFIXES

- _____ ZA D.C.C.I. Body with Aluminum Dome*

SUFFIXES

- _____ -AR Acid Resistant Epoxy Coated
- _____ -G Galvanized Cast Iron
- _____ -ST Dome with Solid Top
- _____ -TC Neo-Loc Test Cap Gasket
(2 - 4 [51 - 102] NL Bottom Outlet Only)
- _____ -VP Vandal-Proof Secured Top

*REGULARLY FURNISHED UNLESS OTHERWISE SPECIFIED

REV. -	DATE: 8/25/11	C.N. NO. 121990
DWG. NO. 302074		PRODUCT NO. ZA100-238

ZURN INDUSTRIES, LLC ♦ SPECIFICATION DRAINAGE OPERATION ♦ 1801 Pittsburgh Ave. ♦ Erie, PA 16514

Phone: 814/455-0921 ♦ Fax: 814/454-7929 ♦ World Wide Web: www.zurn.com

In Canada: ZURN INDUSTRIES LIMITED ♦ 3544 Nashua Drive ♦ Mississauga, Ontario L4V1L2 ♦ Phone: 905/405-8272 Fax: 905/405-1292