



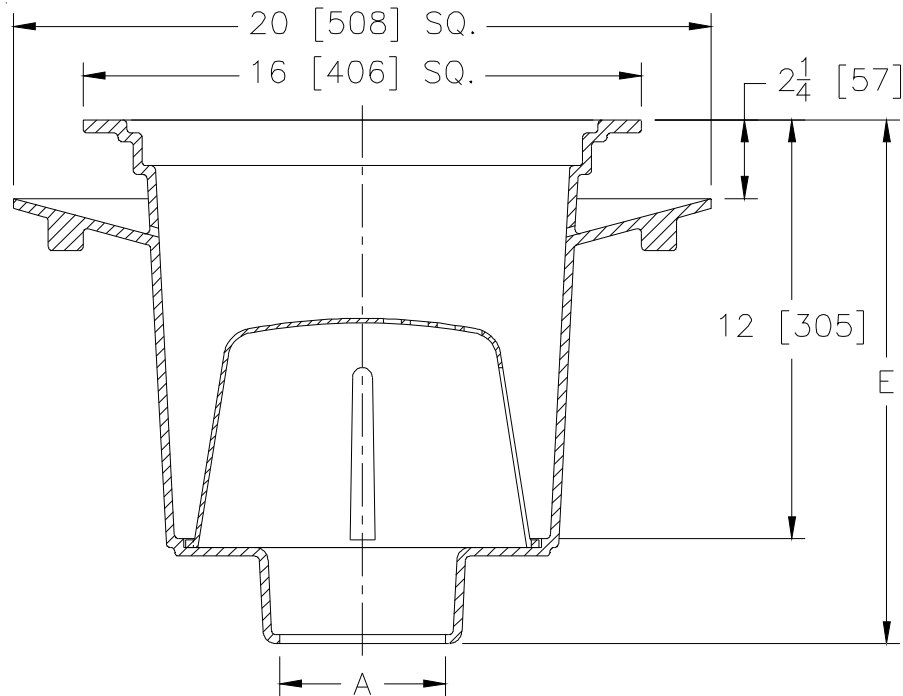
Z1926-1

16 X 16 [406 X 406] A.R.C. SANI-FLOR
RECEPTOR 12 [305] SUMP DEPTH LESS GRATE

SPECIFICATION SHEET

TAG _____

Dimensional Data (inches and [mm]) are Subject to Manufacturing Tolerances and Change Without Notice



A - Pipe Size In. [mm]	Approx Wt. Lbs. [kg]
2, 3, 4, 5, 6, 8 [51, 76, 102, 127, 152, 203]	125 [57]

ENGINEERING SPECIFICATION: ZURN Z1926-1

Sani-Flor Receptor 16" x 16" x 12" [406mm x 406mm x 305mm] deep cast iron body with seepage flange, less grate, with white acid resisting epoxy coated interior and top, complete with aluminum anti-splash interior bottom dome strainer.

OPTIONS (Check/specify appropriate options)

PIPE SIZE

3, 4, 6 [76, 102, 152]
2, 3, 4, 5, 6, 8 [51, 76, 102, 127, 152, 203]
2, 3, 4 [51, 76, 102]

(Specify size/type) OUTLET

___ IC Inside Caulk
___ NH No-Hub
___ NL Neo-Loc

'E' BODY HT. DIMENSION

Z	ZN
15 [381]	15-3/16 [386]
15 [381]	15-3/16 [386]
14-1/4 [362]	14-7/16 [367]

PREFIXES

___ Z Cast Iron Body with White A.R.C. Interior*
___ ZN Cast Iron Body with White A.R.C. Interior, 16-3/4 [425] Square Nickel Bronze Frame

SUFFIXES

___ -C Clamp Collar
___ -LD Less Bottom Dome Strainer
___ -P 1/2 [13] Trap Primer Connection
___ -TC Neo-Loc Test Cap Gasket (2, 3, 4 [51, 76, 102] NL Bottom Outlet Only)
___ -23 Aluminum Bucket
___ -25 White A.R.C. Bucket
___ -31 Stainless Steel Mesh Liner for Bucket
___ -33 White A.R.C. Anti-Splash Bottom Dome Strainer

* Regularly furnished unless otherwise specified.