



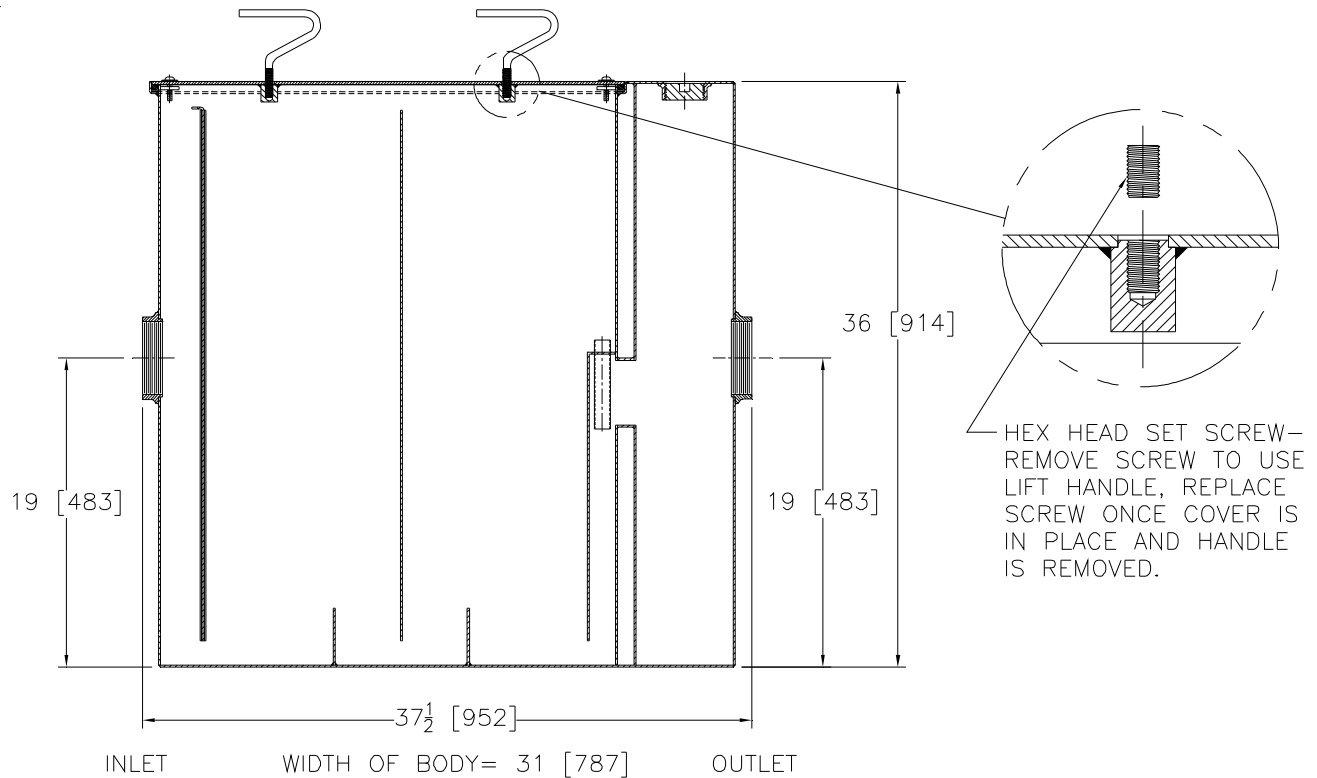
# Z1172-151

## CUSTOM SIZE LARGE CAPACITY GREASE INTERCEPTOR

SPECIFICATION SHEET

TAG \_\_\_\_\_

Dimensional Data (inches and [ mm ]) are Subject to Manufacturing Tolerances and Change Without Notice



Inlet/ Outlet Size	Flow Rate G.P.M. [L]	Capacity		No. of Covers	Approx. Wt. Lbs. [kg]
		Water Gal. [L]	Grease Lbs. [kg]		
4 [102]	75 [284]	65 [246]	150 [68]	1	450 [168]

**ENGINEERING SPECIFICATION: ZURNZ1172-151**

Large capacity Acid Resistant Coated interior and exterior fabricated steel grease interceptor, rated at \_\_\_\_ GPM and \_\_\_\_ Lbs. grease capacity, with internal air relief by-pass, bronze cleanout plug and visible double wall trap seal with removable pressure equalizing/flow diffusing baffle. Gasketed non-skid secured cover with removable lift handles, complete with flow control fitting. Regularly furnished with inlet and outlet in high position.

**OPTIONS** (Check/specify appropriate options)

**PREFIXES**

- \_\_\_ Z Acid Resistant Coated Fabricated Steel\*
- \_\_\_ ZS All Type 304 Fabricated Stainless Steel

**SUFFIXES**

- \_\_\_ -AL Aluminum Cover
- \_\_\_ -K Anchor flange 1 3/4 [44] down from top and 2 [51] wide.
- \_\_\_ -KC Anchor flange 1 3/4 [44] down from top and 2 [51] wide with clamp collar.
- \_\_\_ -L Angle type (Z1108-L) flow control device.

\*REGULARLY FURNISHED UNLESS OTHERWISE SPECIFIED

<b>REV. A</b>	<b>DATE: 09/09/08</b>	<b>C.N. NO. 99070</b>
<b>DWG. NO. P-15601</b>	<b>PRODUCT NO. Z1172-151</b>	

ZURN INDUSTRIES, LLC ♦ SPECIFICATION DRAINAGE OPERATION ♦ 1801 Pittsburgh Ave. ♦ Erie, PA 16514

Phone: 814/455-0921 ♦ Fax: 814/454-7929 ♦ World Wide Web: www.zurn.com

In Canada: ZURN INDUSTRIES LIMITED ♦ 3544 Nashua Drive ♦ Mississauga, Ontario L4V1L2 ♦ Phone: 905/405-8272 Fax: 905/405-1292