



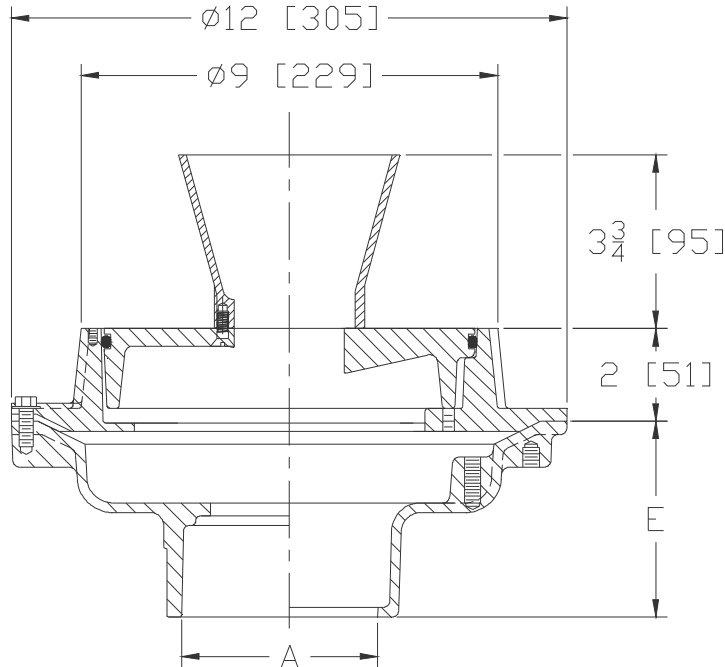
Z550-99

Ø9 [229] MEDIUM-DUTY DRAIN W/ MODIFIED SOLID GASKETED COVER AND FUNNEL

SPECIFICATION SHEET

TAG _____

Dimensional Data (inches and [mm]) are Subject to Manufacturing Tolerances and Change Without Notice



A- Pipe Size In.	Approx. Wt. Lbs. [kg]
2-3-4 [51-76-102]	16 [7]
6 [152]	20 [9]

ENGINEERING SPECIFICATION: ZURN Z550-99

9 [229] Diameter top drain, Dura-Coated cast iron body with bottom outlet, seepage pan and combination membrane flashing clamp and frame for modified solid gasketed cover with funnel.

OPTIONS (Check/specify appropriate options)

PIPE SIZE

- 2, 3, 4 [51, 76, 102]
- 2, 3, 4 [51, 76, 102]
- 2, 3, 4 [51, 76, 102]
- 2, 3, 4 [51, 76, 102]
- 6 [152]
- 2, 3, 4 [51, 76, 102]

(Specify size/type) OUTLET

- ___ IC Inside Caulk
- ___ IG Inside Caulk w/Sealtrol Gskt.
- ___ IP Threaded
- ___ NH No-Hub
- ___ NH No-Hub
- ___ NL Neo-Loc

'E' BODY HT. DIM.

- 3-3/4 [95]
- 3-3/4 [95]
- 2-3/4 [70]
- 4-3/4 [121]
- 5-1/4 [133]
- 3-1/2 [89]

PREFIXES

- ___ Z D.C.C.I. Body and Cover*
- ___ ZB D.C.C.I. Body with Polished Bronze Cover (Add 3/16 [5] to 2 [51] Dim.)
- ___ ZN D.C.C.I. Body with Polished Nickel Bronze Cover (Add 3/16 [5] to 2 [51] Dim.)

SUFFIXES

- ___ -AR Acid Resisting Epoxy Coated Cast Iron
- ___ -F Extension Frame
- ___ -G Galvanized Cast Iron
- ___ -P Trap Primer Connection
- ___ -S Secondary Strainer
- ___ -SS Stainless Mesh Liner for Bucket
- ___ -T Square Top
- ___ -TS Top Secured with Slotted Screws
- ___ -V Backwater Valve (See Z1099)
- ___ -VP Vandal Proof Secured Top
- ___ -Y Sediment Bucket
- ___ -90 90° Threaded Side Outlet Body (2 thru 4 [51 thru 102])

* Regularly furnished unless otherwise specified.