



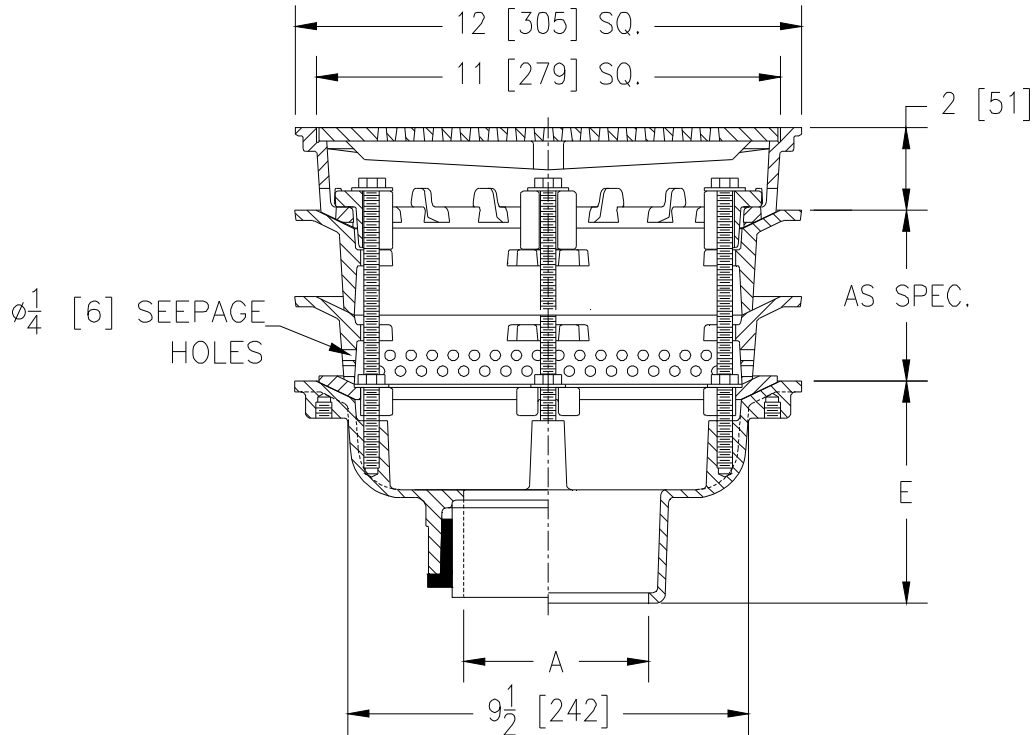
Z154-97

12 [279] SQUARE TOP PROM-DECK DRAIN W/ HEEL-PROOF GRATE, ROTATABLE FRAME, STATIC EXTENSIONS, AND SECONDARY CLAMPING COLLAR

SPECIFICATION SHEET

TAG _____

Dimensional Data (inches and [mm]) are Subject to Manufacturing Tolerances and Changes Without Notice



A Pipe Size In.	Approx. Wt. Lbs. [kg]	Grate Open Area Sq. In. [cm ²]
2 thru 6 [51 thru 152]	29 [13]	20 [129]

ENGINEERING SPECIFICATION: ZURN Z154-97

12 [279] Square Top Prom-Deck drain, Dura-Coated cast iron body with rotatable square promenade frame with seepage openings, frame clamps, static extensions with flat clamp collar at body, and light duty heel-proof grate.

OPTIONS (Check/specify appropriate options)

PIPE SIZE

- 2 thru 6 [51 thru 152]
- 2 thru 6 [51 thru 152]
- 2 thru 6 [51 thru 152]
- 2 thru 4 [51 thru 102]

(Specify size/type) OUTLET

- ___ IC Inside Caulk
- ___ IP Threaded
- ___ NH No-Hub
- ___ NL Neo-Loc

'E' BODY HT. DIM.

- 5 1/4 [133]
- 3 3/4 [95]
- 5 1/4 [133]
- 4 9/16 [116]

PREFIXES

- ___ Z D.C.C.I. Body with Top*
- ___ ZB D.C.C.I. Body with Polished Bronze Top
- ___ ZN D.C.C.I. Body with Polished Nickel Bronze Top

SUFFIXES

- | | |
|---|--|
| ___ -AR Acid Resistant Epoxy Coated | ___ -TS Top Secured with Slotted Screws |
| ___ -C Underdeck Clamp | ___ -VP Vandal-Proof Secured Top |
| ___ -DG Duresist Grate (Z only) | ___ -XJ Vertical Expansion Joint (See Z190) |
| ___ -DP Top-Set® Roof Deck Plate
(Replaces both the -C and -R) | ___ -Y Sediment Bucket |
| ___ -DT Decorative Polished Top (ZB and ZN only) | ___ -90 90° Threaded Side Outlet Body
(2 [51] thru 4 [102]) |
| ___ -EB Top-Set® Adjustable Extension Assembly | |
| ___ -G Galvanized Cast Iron | |
| ___ -R Roof Sump Receiver | |
| ___ -S Secondary Strainer | |
| ___ -TC Neo-Loc Test Cap Gasket
(2 [51]-4 [102] NL Bottom Outlet Only) | |

*REGULARLY FURNISHED UNLESS OTHERWISE SPECIFIED

REV. DATE: 1/12/10 C.N. NO. 110588

DWG. NO. P-15831 PRODUCT NO. Z154-97