



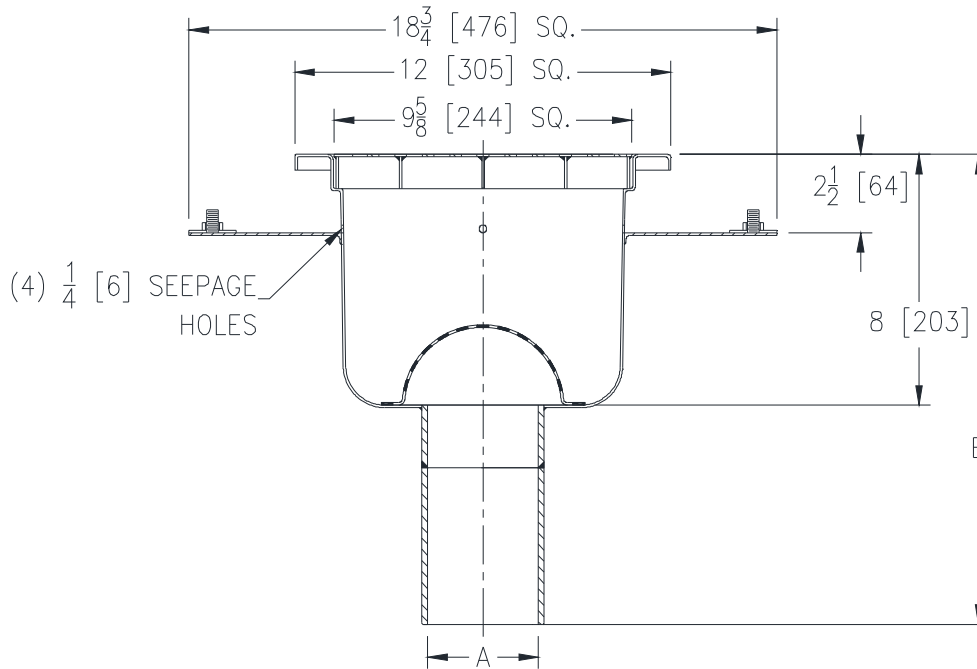
Z1751-153

12 X 12 [305 X 305] SANI-FLOR RECEPTOR
 8 [203] SUMP DEPTH W/ CUSTOM ANCHOR FLANGE,
 & 12 [305] LONG OUTLET

SPECIFICATION SHEET

TAG _____

Dimensional Data (inches and [mm]) are Subject to Manufacturing Tolerances and Change Without Notice



A Pipe Size In. [mm]	Approx. Wt. Lbs. [kg]	Grate Open Area Sq. In. [cm ²]
2,3,4 [51,76,102]	37 [17]	23 [148]
6 [152]	39 [18]	23 [148]

ENGINEERING SPECIFICATION: ZURN Z1751-153

12" x 12" x 8" [305mm x 305mm x 203mm] deep, 14 gage, All Type 304 (CF8) Stainless Steel light-duty Sani-Flor receptor with non-tilt, loose set full grate with 1/2" [13mm] square openings and anti-splash interior dome strainer and custom anchor flange with seepage holes, clamp collar, & 12" [305mm] long outlet.

OPTIONS (Check/specify appropriate options)

PIPE SIZE

2,3,4,6 [51,76,102,152]

(Specify size/type) OUTLET

___ NH No-Hub

'E' BODY HT. DIM.

20 [508]

PREFIXES

- ___ Z Type 304 (CF8) Stainless Steel Body*
- ___ ZM Type 316 (CF8M) Stainless Steel

SUFFIXES

- ___ -DX Dex-o-tex Flange
- ___ -HD Extra-Heavy-Duty Grate
- ___ -HP Heel-Proof Grate
- ___ -SG Solid Gasketed Cover
- ___ -VP Vandal-Proof Secured Top
- ___ -Y Sediment Bucket
- ___ -YS Suspended Sediment Bucket
- ___ -1 (Less) Grate
- ___ -2 1/2 Grate
- ___ -3 3/4 Grate
- ___ -4 Full Grate with 3 [76] Square Center Opening
- ___ -5 Grate w/ 4 [102] Dia. x 3-3/4 [95] High 304 S.S. Funnel
- ___ -8 Grate w/ 9 [229] Dia. x 3-1/2 [90] High 304 S.S. Oval Funnel
- ___ -15 Solid Cover
- ___ -16 1/2 Solid Cover
- ___ -17 3/4 Solid Cover
- ___ -18 Solid Cover w/ 3 [76] Square Center Opening
- ___ -19 Full Hinged Grate
- ___ -20 Full Hinged Solid Cover

* Regularly furnished unless otherwise specified.