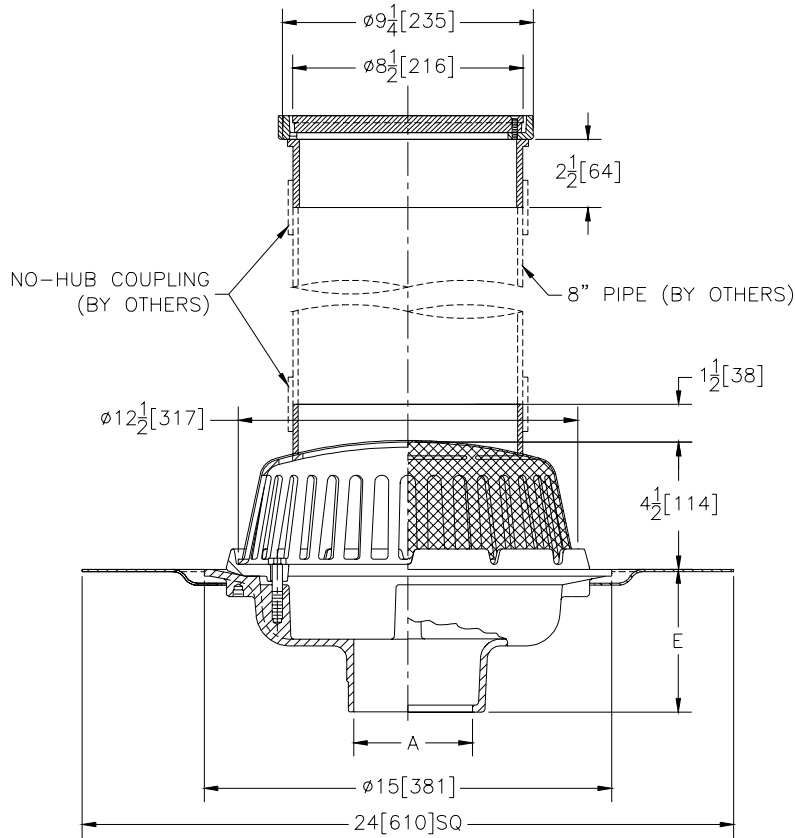




Z-100-132 15" DIAMETER MAIN ROOF DRAIN WITH ACCESS HOUSING

TAG _____

Dimensional Data (inches and [mm]) are Subject to Manufacturing Tolerances and Change Without Notice



A- Pipe Size In.	Approx. Wt. Lbs.[kg]	Dome Open Area Sq. In.[cm ²]
2,3,4 [50,75,100]	41 [19]	103[665]
6 [152]	42 [19]	

ENGINEERING SPECIFICATION: ZURN Z-100-132
 15[381] Diameter roof drain. Dura-Coated cast iron body with combination membrane flashing clamp/ gravel guard, low silhouette dome, roof sump receiver and access housing with round frame and secured cover.

OPTIONS (Check/specify appropriate options)

PIPE SIZE

- 2 thru 6 [50 thru 150]
- 2 thru 6 [50 thru 150]
- 2 thru 6 [50 thru 150]
- 2 thru 6 [50 thru 150]

(Specify size/type) **OUTLET**

- _____ IC Inside Caulk
- _____ IP Threaded
- _____ NH No-Hub
- _____ NL Neo-Loc

E BODY HT. DIM.

- 5 1/4 [133]
- 3 3/4 [95]
- 5 1/4 [133]
- 4 5/8 [117]

PREFIXES

- _____ **ZC-** D.C.C.I. Body with Cast Iron Dome *

SUFFIXES

- _____ **-BS** Bronze Mesh Screen Over Dome
- _____ **-E** Static Extension 1[25] thru 4[100] (Specify Height)
- _____ **-EA** Adjustable Extension Assembly 1 3/4 [44] thru 3 1/2 [89]
- _____ **-G** Galvanized Cast Iron
- _____ **-GD** Galvanized Cast Iron Dome
- _____ **-S** Secondary Clamp Collar
- _____ **-VP** Vandal Proof Secured Dome
- _____ **-XJ** Vertical Expansion Joint (See Z-190)

REV.	DATE: 07/17/96	C.N. NO. 75354
DWG. NO. P-14352		PRODUCT NO. Z-100-132

*REGULARLY FURNISHED UNLESS OTHERWISE SPECIFIED