



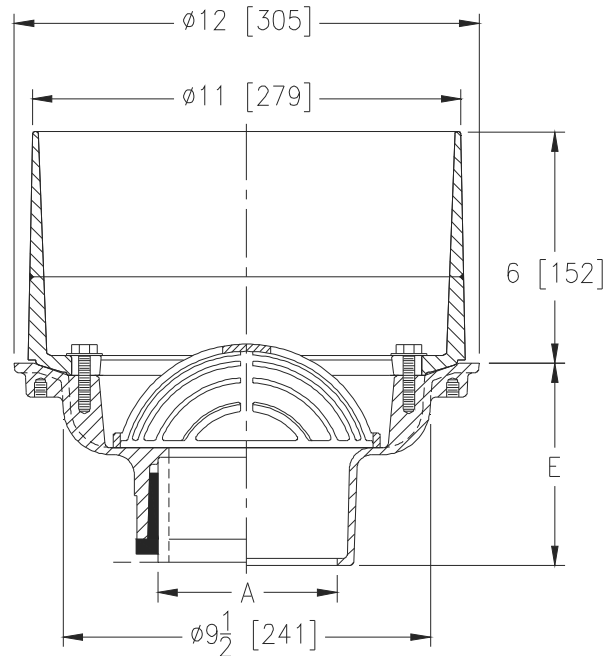
**Z122-77**

**12 [305] DIAMETER DECK  
RECEPTOR DRAIN W/ 6 [152] WATER DAM**

**SPECIFICATION SHEET**

**TAG \_\_\_\_\_**

Dimensional Data (inches and [mm]) are Subject to Manufacturing Tolerances and Change Without Notice



A Pipe Size In. [mm]	Approx. Wt. Lbs. [kg]
2,3,4,6 [51,76,102,152]	37 [17]

**ENGINEERING SPECIFICATION: ZURN Z122-77**

12" [305mm] Diameter deck receptor drain, Dura-Coated cast iron body with combination membrane flashing clamp/deck receptor frame with 6" [152mm] water dam and internal dome strainer.

**OPTIONS** (Check/specify appropriate options)

**PIPE SIZE**

- 2, 3, 4, 6 [51, 76, 102, 152]
- 2, 3, 4, 6 [51, 76, 102, 152]
- 2, 3, 4, 6 [51, 76, 102, 152]
- 2, 3, 4 [51, 76, 102]

(Specify size/type) **OUTLET**

- \_\_\_\_\_ IC Inside Caulk
- \_\_\_\_\_ IP Threaded
- \_\_\_\_\_ NH No-Hub
- \_\_\_\_\_ NL Neo-Loc

**E BODY HT. DIM.**

- 5-1/4 [133]
- 3-3/4 [95]
- 5-1/4 [133]
- 4-5/8 [117]

**PREFIXES**

- \_\_\_ Z D.C.C.I. Body with Collar\*

**SUFFIXES**

- \_\_\_ -AR Acid Resistant Epoxy Coated
- \_\_\_ -C Underdeck Clamp
- \_\_\_ -DP Top-Set® Deck Plate (Replaces both the -C and -R)
- \_\_\_ -E 2 [51] High Static Extension (Specify Ht.)
- \_\_\_ -EB Top-Set® Adjustable Extension Assembly
- \_\_\_ -G Galvanized Cast Iron
- \_\_\_ -HD High Dome
- \_\_\_ -R Roof Sump Receiver
- \_\_\_ -TC Neo-Loc Test Cap Gasket (2,3, 4 [51,76,102]) NL Bottom Outlet Only)
- \_\_\_ -90 90° Threaded Side Outlet Body (2,3, 4 [51,76,102]) (See Z1043)

\* Regularly furnished unless otherwise specified.