



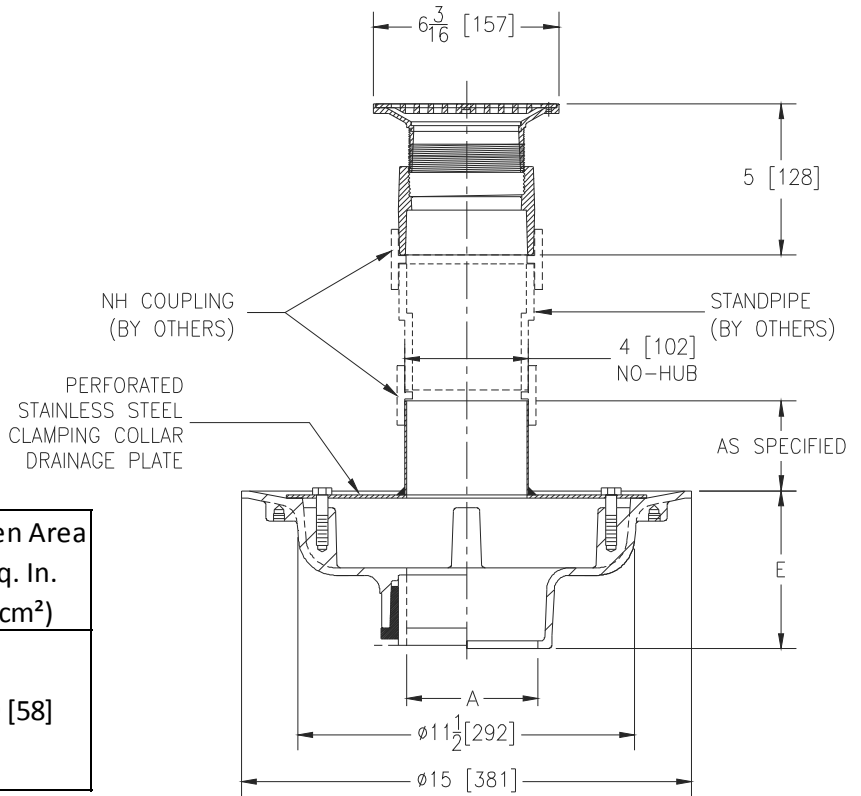
Z100-268

15 [381] DIAMETER MAIN ROOF DRAIN W/ STAINLESS STEEL PERFORATED PLATE, 4 [102] NO-HUB ADAPTER, & ADJUSTABLE TOP

SPECIFICATION SHEET

TAG _____

Dimensional Data (inches and [mm]) are Subject to Manufacturing Tolerances and Change Without Notice



A- Pipe Size In.	Approx. Wt. Lbs [kg]	Open Area Sq. In. (cm ²)
2-3-4 [51-76-102]	26 [12]	9 [58]
5-6 [127-152]	27 [12]	
8 [203]	28 [13]	
10 [254]	30 [14]	

ENGINEERING SPECIFICATION: ZURN Z100-268

15 [381] Diameter roof drain. Dura-Coated cast iron body with stainless steel perforated plate with 4 [102] No-Hub adapter, adjustable drain top with light duty nickel bronze strainer.

OPTIONS (Check/specify appropriate options)

PIPE SIZE

2 thru 6, 8 [51 thru 152,203]
 2 thru 6, 8 [51 thru 152,203]
 2 thru 6, 8, 10 [51 thru 152,203,254]
 2,3,4 [51,76,102]

(Specify size/type) OUTLET

_____ IC Inside Caulk
 _____ IP Threaded
 _____ NH No-Hub
 _____ NL Neo-Loc

E BODY HT. DIM.

5 1/4 [133]
 3 3/4 [95]
 5 1/4 [133]
 4 5/8 [117]

PREFIXES

_____ ZB D.C.C.I. Body w/ Polished Bronze Top
 _____ ZN D.C.C.I. Body w/ Polished Nickel Bronze Top*

SUFFIXES

_____ -AC Angular Underdeck Clamp
 _____ -C Underdeck Clamp
 _____ -DP Top-Set® Deck Plate (Replaces both the -C and -R)
 _____ -DR Top-Set® Drain Riser
 _____ -DX Dex-o-tex Flange (Lower Drain Only)
 _____ -G Galvanized Cast Iron
 _____ -R Roof Sump Receiver
 _____ -TC Neo-Loc Test Cap Gasket (2 - 4 [51 - 102] NL Bottom Outlet Only)
 _____ -XJ Vertical Expansion Joint (See Z190)
 _____ -90 90° Threaded Side Outlet Body (2 thru 6 [51 or 152])

REV. DATE: 06/17/13 C.N. NO. 129522

PROD. NO./DWG. NO. Z100-268

*REGULARLY FURNISHED UNLESS OTHERWISE SPECIFIED

ZURN INDUSTRIES, LLC. ♦ SPECIFICATION DRAINAGE OPERATION ♦ 1801 Pittsburgh Ave. ♦ Erie, PA 16514

Phone: 814/455-0921 ♦ Fax: 814/454-7929 ♦ World Wide Web: www.zurn.com

In Canada: ZURN INDUSTRIES LIMITED ♦ 3544 Nashua Drive ♦ Mississauga, Ontario L4V1L2 ♦ Phone: 905/405-8272 Fax: 905/405-1292