

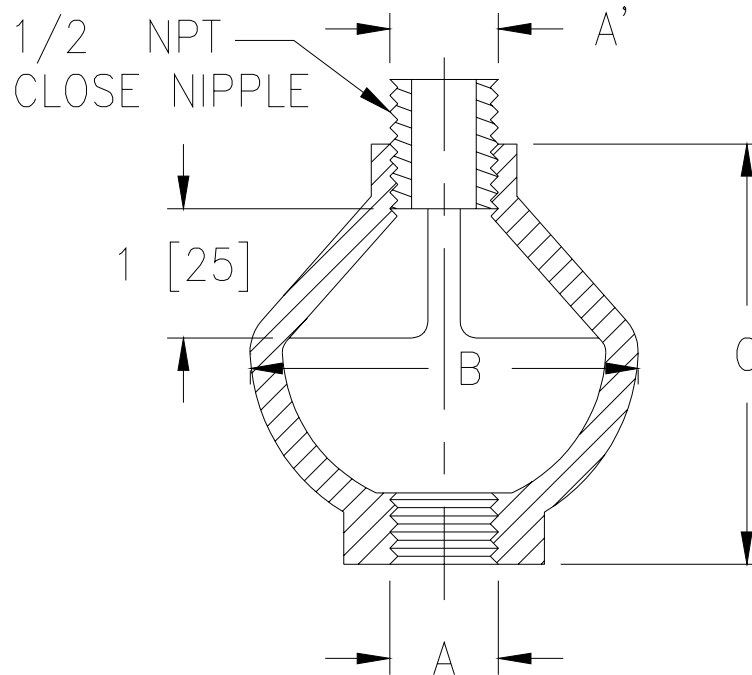


# Z1024-76 FIXED AIR GAP

SPECIFICATION SHEET

TAG \_\_\_\_\_

Dimensional Data (inches and [ mm ]) are Subject to Manufacturing Tolerances and Change Without Notice



Dimensions In Inches [mm]			Approx. Wt. Lbs. [kg]
Pipe Size	B	C	
A' x A N.P.T. x N.P.T.			
1/2 X 1/2 [13 X 13]	3 [76]	3 1/4 [83]	1 [.5]

**ENGINEERING SPECIFICATION:** ZURN Z1024-76 Fixed Air Gap, Dura-Coated cast iron body with 1/2 [13] N.P.T. inlet and outlet

**PREFIXES**

- \_\_\_ Z D.C.C.I.\*
- \_\_\_ ZARB All Plain Bronze

**SUFFIXES**

- \_\_\_ -G Galvanized Cast Iron

REV. A	DATE: 8/8/05	C.N. NO. 93673
DWG. NO. P-15161 PRODUCT NO. Z1024-76		

\*REGULARLY FURNISHED UNLESS OTHERWISE SPECIFIED