



Z1900-RL-Y

12 x 12 x 6 [305 x 305 x 152] REPLACEMENT FLOOR SINK LINER W/ SEDIMENT BUCKET

SPECIFICATION SHEET

TAG _____

Dimensional Data (inches and [mm]) are Subject to Manufacturing Tolerances and Change Without Notice

Engineering Specification: ZURN Z1900-RL-Y
12" x 12" x 6" [305mm x 305mm x 152mm] deep, 18 gage, all type 304 (CF8) fabricated stainless steel replacement floor sink liner, with internal pipe gasket seal, light-duty slotted, loose set grate and slotted, removable sediment bucket with lift handle.

Approx. Wt. Lbs. [kg]	Grate Open Area Sq. In. [cm ²]
6 [3]	21.1 [136]

Options (Check/specify appropriate options)

Pipe Size (ØA)

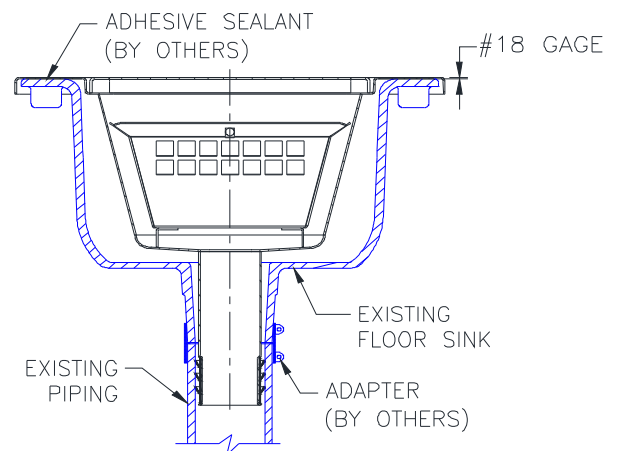
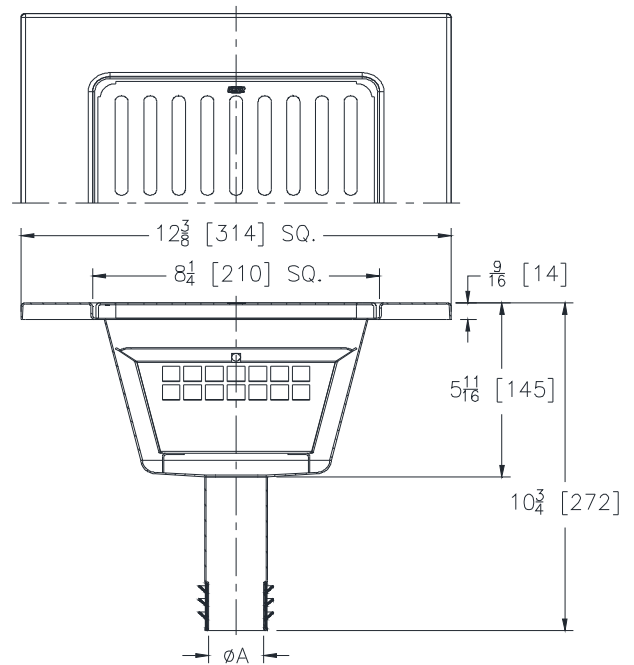
2,3,4 [51,6,102]

Prefixes

___ Z All Type 304 (CF8) Fabricated Stainless Steel*

Suffixes

___ -1 Less Grate
 ___ -2 1/2 Grate
 ___ -3 3/4 Grate



* Regularly furnished unless otherwise specified.