



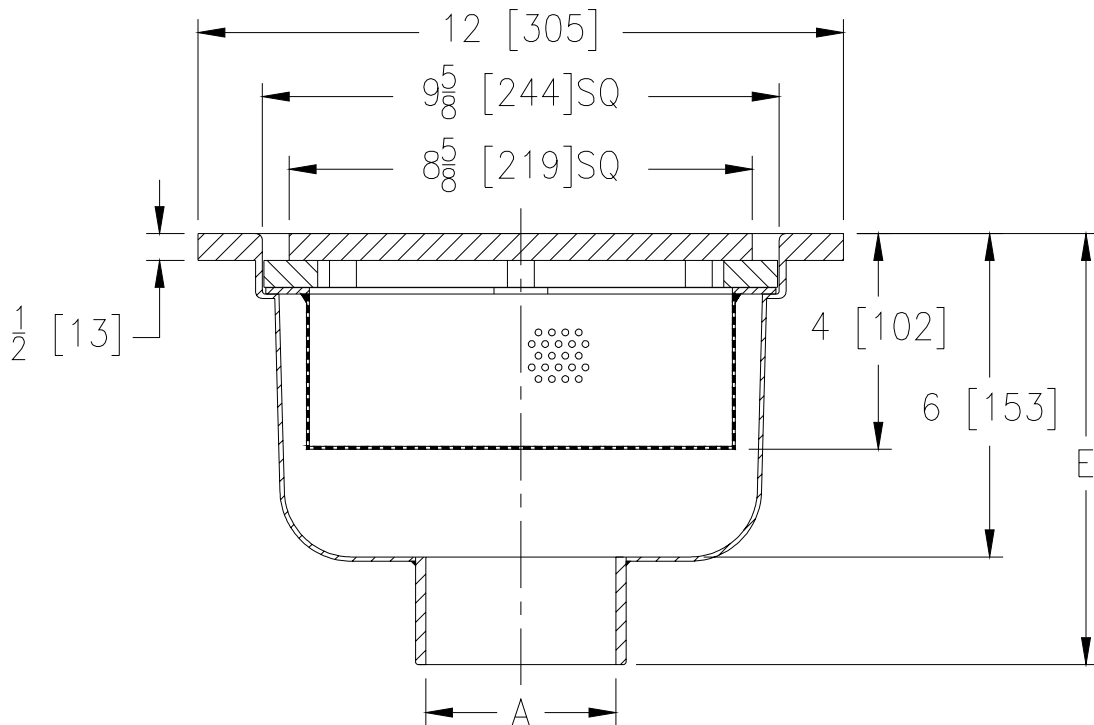
Z1753-84

12 x 12 x 6 [305 x 305 x 153] DEEP SANI-FLOOR
RECEPTOR W/PERIMETER DRAINAGE
SANITARY RIM AND PERFORATED BUCKET

SPECIFICATION SHEET

TAG _____

Dimensional Data (inches and [mm]) are Subject to Manufacturing Tolerances and Change Without Notice



A-Pipe Size Inches	Approx Wt. Lbs. [kg]
2-3-4 [51-76-102]	15 [7]

ENGINEERING SPECIFICATIONS: ZURN Z1753-84

12 x 12 x 6 [305 x 305 x 153] deep, All Type 304 (CF8) Stainless Steel Sani-Floor receptor with non-tilt, 1/2 [13] thick solid cover with perimeter drainage, sanitary rim and perforated sediment bucket. Wheel load rating 15,000 Lbs. Drain body must be supported by concrete pour.

OPTIONS (Check/specify appropriate options)

PIPE SIZE

- 2 - 3 - 4 [51 - 76 - 102]
- 2 [51]
- 3 [76]
- 4 [102]
- 2 - 3 - 4 [51 - 76 - 102]
- 2 - 3 - 4 [51 - 76 - 102]

(Specify size/type) **OUTLET**

- ___ IC Inside Caulk
- ___ IP Threaded
- ___ IP Threaded
- ___ IP Threaded
- ___ NH No-Hub
- ___ NL Neo-Loc

E BODY HT. DIM.

- 8 9/16 [218]
- 7 5/16 [186]
- 7 9/16 [192]
- 8 1/16 [205]
- 8 1/16 [205]
- 7 13/16 [198]

PREFIXES

- ___ Z Type 304 (CF8) Stainless Steel*

SUFFIXES

- ___ -BG Stainless Steel Bar Grate
- ___ -K Anchor Flange
- ___ -KC Anchor Flange with Seepage Holes and Clamp Collar
- ___ -LBT (Less) Bell Tap
- ___ -LY (Less) Sediment Bucket
- ___ -P 1/2 [13] Trap Primer Connection
- ___ -1 (Less) Cover

REV.	DATE: 12/1/05	C.N. NO. 94319
DWG. NO. P-15228		PRODUCT NO. Z1753-84

*REGULARLY FURNISHED UNLESS OTHERWISE SPECIFIED