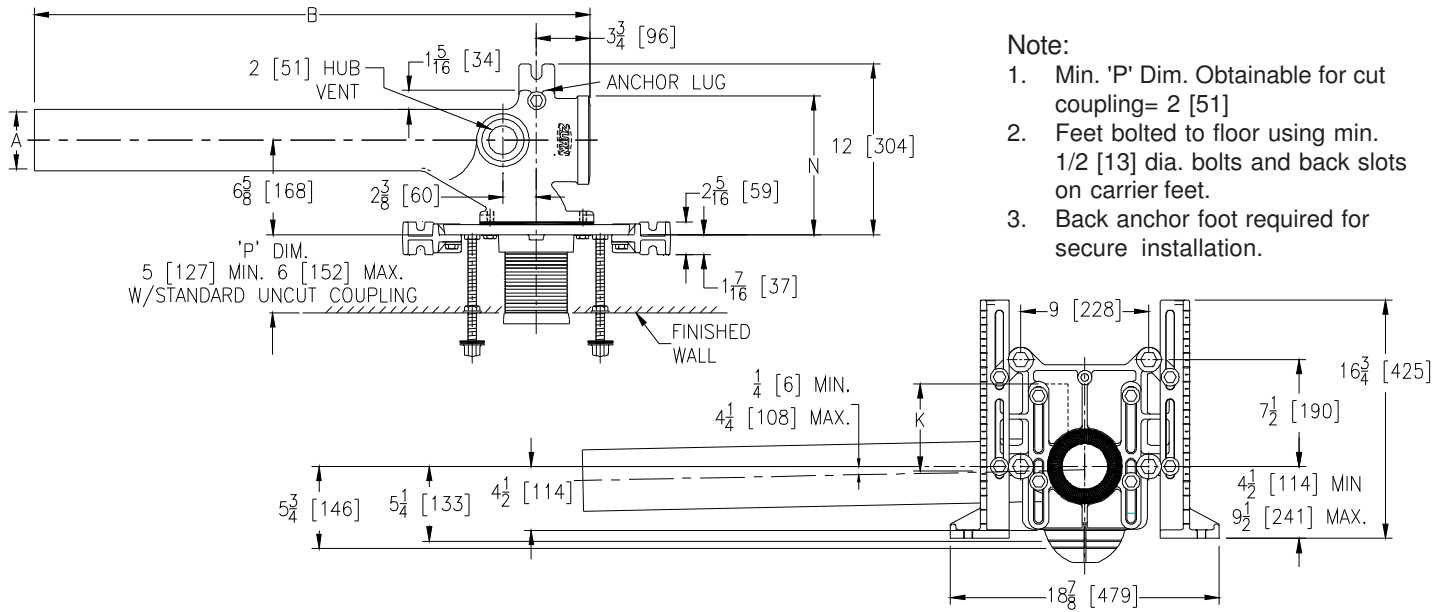




# Z1203-135

## 40 [1016] ADJUSTABLE HORIZONTAL SIPHON JET HUB W/ ELONGATED FITTING

Dimensional Data (inches and [ mm ]) are Subject to Manufacturing Tolerances and Change Without Notice



**Note:**

1. Min. 'P' Dim. Obtainable for cut coupling= 2 [51]
2. Feet bolted to floor using min. 1/2 [13] dia. bolts and back slots on carrier feet.
3. Back anchor foot required for secure installation.

Product No.	Dimensions in Inches [mm]				App. Wt. Lbs. [kg]
	A	B	K	N	
Z1203-HR4-135	4 [102]	40 [1016]	6-1/8 [156]	9-13/16 [249]	125 [57]
Z1203-HL4-135	4 [102]	40 [1016]	6-1/8 [156]	9-13/16 [249]	125 [57]
Z1203-HR5-135	5 [127]	40 [1016]	6-5/8 [168]	10-1/16 [256]	130 [59]
Z1203-HL5-135	5 [127]	40 [1016]	6-5/8 [168]	10-1/16 [256]	130 [59]

**PRODUCT/DEFINITION**

Z1203-HR4-135	4 [102] Right Hand Inlet with Flow to Left
Z1203-HL4-135	4 [102] Left Hand Inlet with Flow to Right
Z1203-HR5-135	5 [127] Right Hand Inlet with Flow to Left
Z1203-HL5-135	5 [127] Left Hand Inlet with Flow to Right

**ENGINEERING SPECIFICATION:** ZURN Z1203-(-)-135 Adjustable, horizontal siphon jet water closet "Rigid System" with 4" [102mm] Hub connections. Complete with Dura-Coated cast iron right hand or left hand elongated fitting, with 2" [51mm] vent, adjustable gasketed faceplate, universal floor mounted foot supports, corrosion resistant adjustable polymer coupling with integral test cap, fixture bolts, trim, and stud protectors. Rear anchor tie down and bonded "Neo-Seal" gasket.

**PREFIXES**

- \_\_\_ Z D.C.C.I. Elongated Fitting System with Zurn "ZZ" Adjustable Coupling\*
- \_\_\_ ZQ D.C.C.I. Elongated Fitting System with NPT Face Plate, Non-Adjustable Coupling

**SUFFIXES**

- \_\_\_ -A Auxiliary Support Assembly (For P-Dim. greater than 18 [457])
- \_\_\_ -B Blowout Type Fixture Support
- \_\_\_ -BC Back Cleanout
- \_\_\_ -CC Corrosion Resistant Cast Iron Coupling (6 [152] to 12 [305])
- \_\_\_ -CL Coupling Length Greater than 12 [305] (Specify length required)
- \_\_\_ -F Floor Mounted, Back Outlet Fixture Support
- \_\_\_ -G Galvanized Cast Iron
- \_\_\_ -M Auxiliary Foot Support (For P-Dim. 10 [254] - 18 [457])
- \_\_\_ -PF Pre-Fab Foot
- \_\_\_ -PS Pre-Fab Slotted Foot
- \_\_\_ -RYK Unistrut Pre-Fab Foot
- \_\_\_ -VP Vandal-Proof Trim
- \_\_\_ -X3 3 [76] Foot Extension Assembly
- \_\_\_ -X4 4 [102] Foot Extension Assembly
- \_\_\_ -45 Finishing Frame for Siphon Jet System (For Blowout System Specify -45-B)
- \_\_\_ -50 Flush Valve Supply Support for W.C.

\* Regularly furnished unless otherwise specified.