



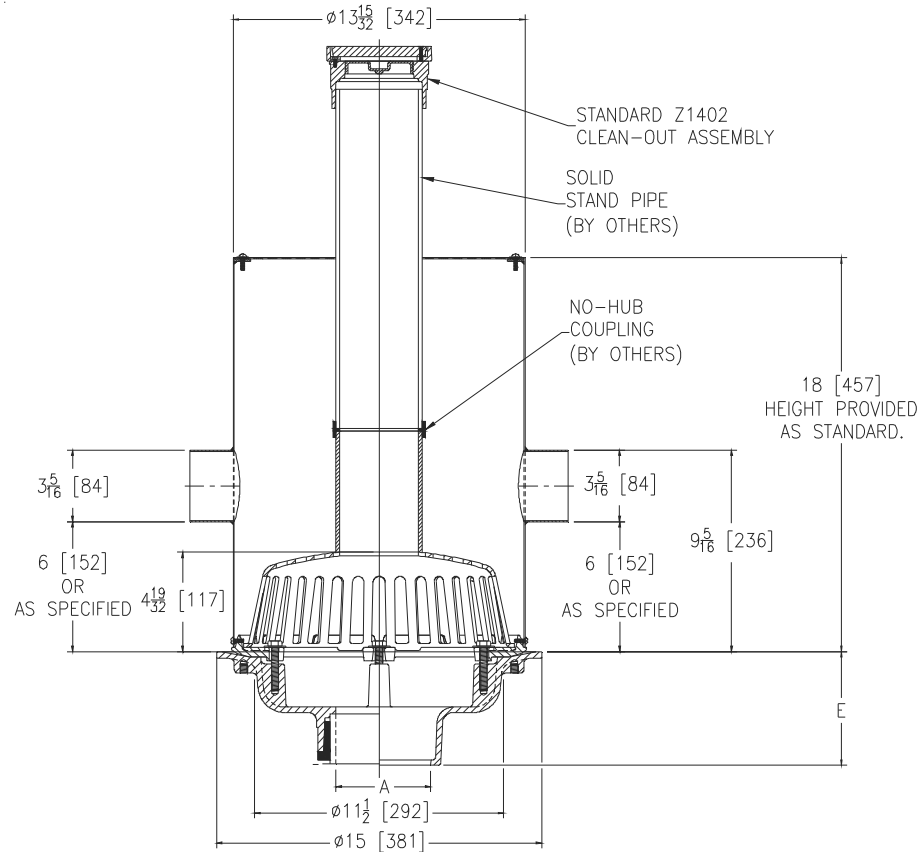
# Z110-83

Ø15 [381] MAIN GREEN ROOF DRAIN W/ SOLID ASS'Y, DUAL 3 [76] AUXILIARY INLETS, REMOVABLE PERFORATED COVER, 4 [102] NO-HUB STANDPIPE, AND Z1402 UPPER CLEANOUT

SPECIFICATION SHEET

TAG \_\_\_\_\_

Dimensional Data (inches and [ mm ]) are Subject to Manufacturing Tolerances and Change Without Notice



A Pipe Size In. [mm]	Approx. Wt. Lbs. [kg]	Dome Open Area Sq. In. [cm <sup>2</sup> ]
6 [152]	32 [15]	103 [665]
8 [203]	33 [15]	

### ENGINEERING SPECIFICATION: ZURN Z110-83

Ø15" [381mm] Green Roof Drain. Dura-Coated cast iron body with combination membrane flashing clamp/gravel guard and low silhouette Cast Iron Dome. Complete with secured type 304 (CF8) stainless steel solid assembly with dual 3" [76mm] auxiliary inlets, perforated removable cover, 4" [102mm] No-Hub standpipe (By others) and Z1402 cleanout assembly.

**OPTIONS** (Check/specify appropriate options)

#### PIPE SIZE

6 [152]  
6,8 [152,203]  
6,8 [152,203]  
6 [152]

#### (Specify size/type) OUTLET

\_\_\_\_\_ IC Inside Caulk  
\_\_\_\_\_ IP Threaded  
\_\_\_\_\_ NH No-Hub  
\_\_\_\_\_ NL Neo-Loc

#### E BODY HT. DIM.

5-1/4 [133]  
3-3/4 [95]  
5-1/4 [133]  
5-7/16 [112]

#### PREFIXES

\_\_\_\_\_ ZC D.C.C.I. Body with Cast Iron Dome

#### SUFFIXES

\_\_\_\_\_ -AC Angular Underdeck Clamp  
\_\_\_\_\_ -AR Acid Resistant Epoxy Coated  
\_\_\_\_\_ -C Underdeck Clamp  
\_\_\_\_\_ -DE Deck Extension  
\_\_\_\_\_ -DP Top-Set® Deck Plate (Replaces both the -C and -R)  
\_\_\_\_\_ -E Static Extension 1 [25] thru 4 [102] (Specify Ht.)  
\_\_\_\_\_ -EA Adjustable Extension Assembly  
2-1/8 [54] thru 3-1/2 [89]

\_\_\_\_\_ -EB Top-Set® Adjustable Extension Assembly  
\_\_\_\_\_ -G Galvanized Cast Iron Dome (ZC Only)  
\_\_\_\_\_ -R Roof Sump Receiver  
\_\_\_\_\_ -VP Vandal-Proof Secured Screen Cover  
\_\_\_\_\_ -85 Stainless Steel Perforated Extension

\* Regularly furnished unless otherwise specified.