



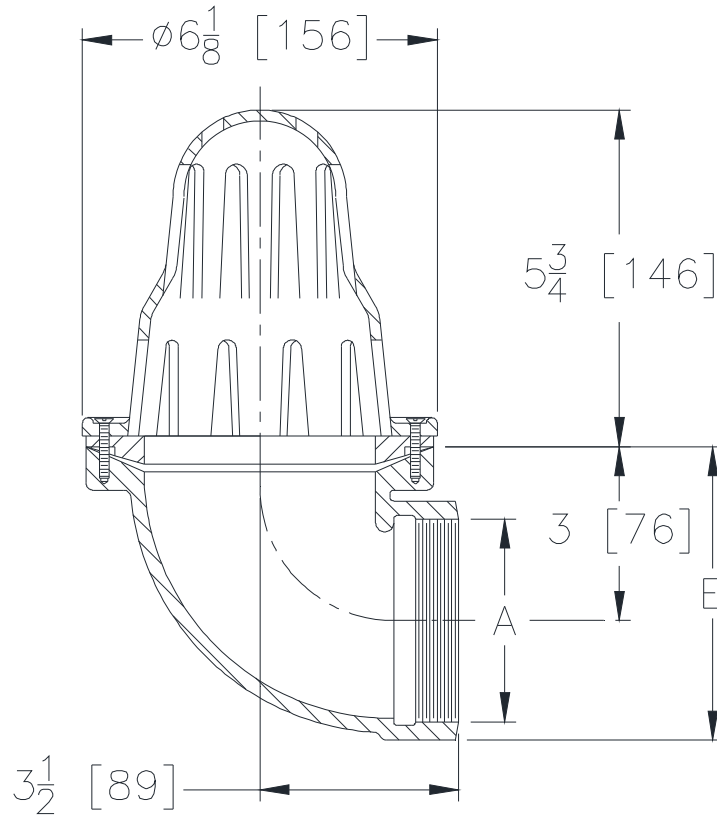
# Z185-HD

6 [152] DIAMETER CORNICE DRAIN W/HIGH  
DOME AND 90° OUTLET

SPECIFICATION SHEET

TAG \_\_\_\_\_

Dimensional Data (inches and [ mm ]) are Subject to Manufacturing Tolerances and Change Without Notice



A Pipe Size In. [mm]	Approx. Wt. Lbs. [kg]	Dome Open Area Sq. In. [cm <sup>2</sup> ]
3 [76]	8 [4]	20 [129]
4 [102]	10 [5]	

**ENGINEERING SPECIFICATION: ZURN ZRB185-HD**  
6" [152mm] Diameter cornice drain, Dura-Coated cast iron  
90° side outlet body, plain bronze 5-3/4" [146mm] high dome  
and membrane flashing clamp.

**OPTIONS** (Check/specify appropriate options)

**PIPE SIZE**

3 [76]  
4 [102]

(Specify size/type) **OUTLET**

\_\_\_\_\_ IP Threaded  
\_\_\_\_\_ IP Threaded

**E BODY HT. DIM.**

5-1/8 [130]  
5-5/8 [143]

**PREFIXES**

\_\_\_\_\_ ZRB D.C.C.I. Body with Plain Bronze Dome\*  
\_\_\_\_\_ ZN D.C.C.I. Body with Polished Nickel Bronze Dome

**SUFFIXES**

\_\_\_\_\_ -G Galvanized Cast Iron  
\_\_\_\_\_ -VP Vandal Proof Secured Top  
\_\_\_\_\_ -45 45° Side Outlet Body

\* Regularly furnished unless otherwise specified.