

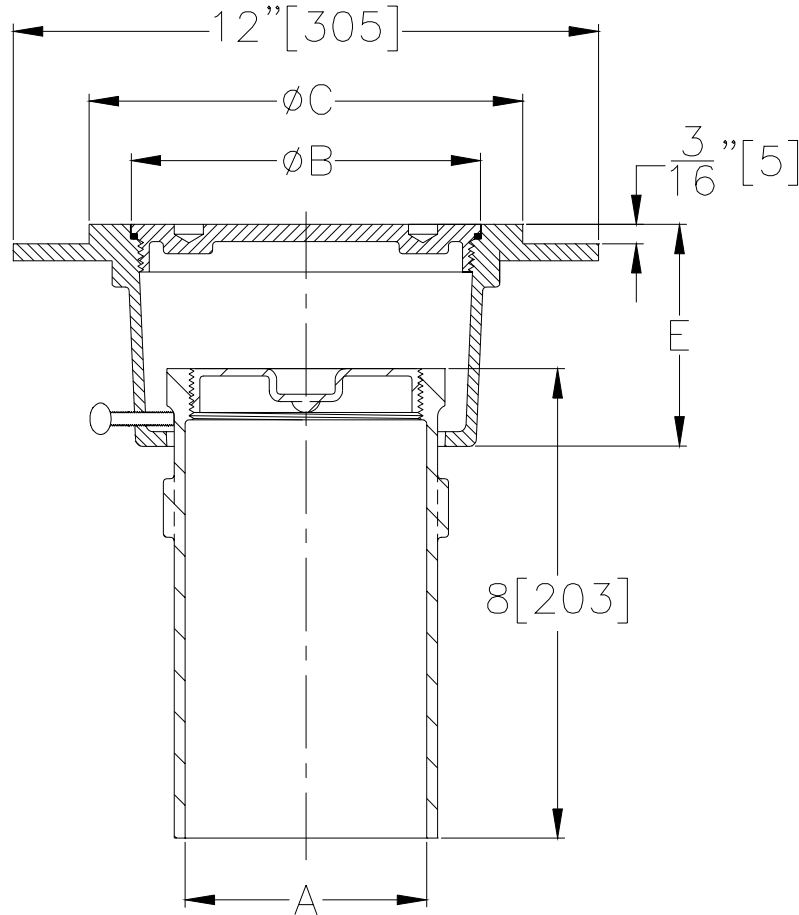


**Z-1456-77 DECK CLEANOUT
WITH Z-1449 CLEANOUT FERRULE
WITH PLUG**

SPECIFICATION SHEET

TAG _____

Dimensional Data (inches and [mm]) are Subject to Manufacturing Tolerances and Change Without Notice



Dimensions In Inches			Approx. Wt. Lbs.
A Pipe Size	IC		
	B	C	
2[51]	3-1/2[89]	4-3/4[121]	7[3]
3[75]	5[127]	6[152]	10[5]
4[102]	6[152]	7-3/8[187]	14[6]
5[127]	8[203]	9-3/8[238]	20[9]
6[152]			25[11]

ENGINEERING SPECIFICATION: ZURN Z-1456-77 cleanout, stainless steel, heavy duty spanner wrench type, gasketed and threaded cover with nickel bronze dextotex frame, cast iron cleanout ferrule with bronze taper thread plug.

OPTIONS (Check/specify appropriate options)

OUTLET (Specify type)

_____ **IC** Inside Caulk

PIPE SIZE (Specify size)

_____ 2" thru 6"[51 thru 152]

**'E' BODY HT.
DIMENSION**

3-1/4"[83]

PREFIXES

- _____ **ZAB-** Bronze with Polished Scoriated Top*
- _____ **ZANB-** Nickel Bronze with Polished Scoriated Top

SUFFIXES

- _____ **-DX** Dex-o-tex Flange
- _____ **-SP** Spanner Wrench

*REGULARLY FURNISHED UNLESS OTHERWISE SPECIFIED

REV. _____	DATE: <u>8/2/94</u>	C.N. NO. <u>69927</u>
DWG. NO. <u>P-14016</u>	PRODUCT NO. <u>Z-1456-77</u>	