



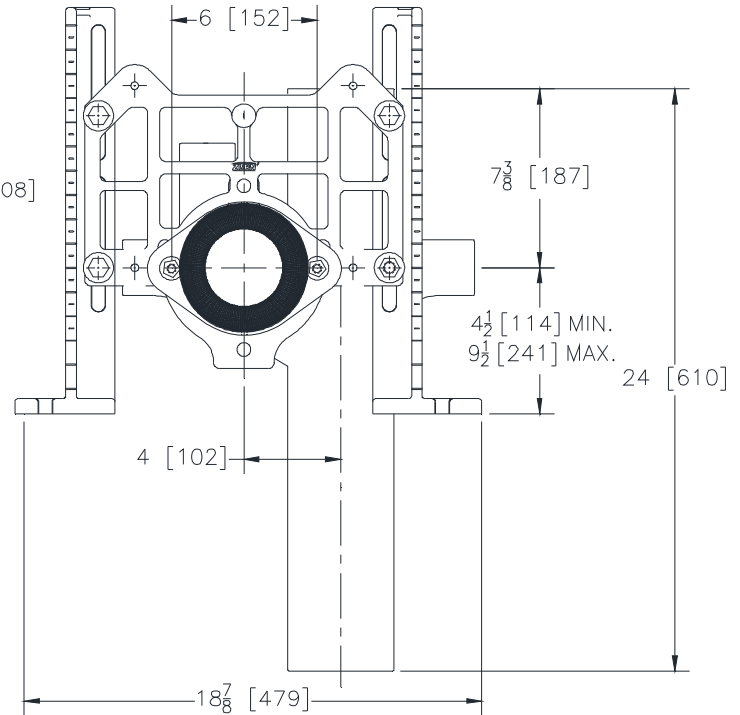
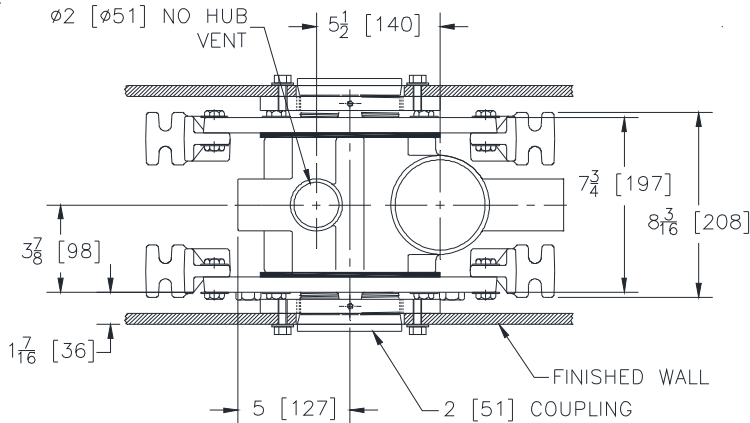
ZN1209-ND4-F

VERTICAL OFFSET BACK-TO-BACK SIPHON JET NO-HUB NARROW WALL SYSTEM W/ FLOOR MOUNTED BACK OUTLET FIXTURE SUPPORT

SPECIFICATION SHEET

TAG _____

Dimensional Data (inches and [mm]) are Subject to Manufacturing Tolerances and Change Without Notice



NOTE:

- 1. Feet bolted to floor using min. 1/2 [13] dia. bolts and back slots on carrier feet.

Product No.	Approx Wt. Lbs. [kg]
ZN1209-ND4	109 [49]

ENGINEERING SPECIFICATION: ZURN ZN1209-ND4-F

Narrow wall back-to-back, vertical offset siphon jet water closet "rigid system" with 4" [102mm] size No-Hub connection and 2" [51 mm] vent complete with Dura-Coated cast iron main fitting, separable face plates, rigidly mounted on fitting, universal floor mounted supports, corrosion resistant adjustable abs couplings with integral test cap, fixture bolts trim, stud protectors, floor mounted back outlet fixture support, and bonded "Neo-Seal" gasket.

OPTIONS (Check/specify appropriate options)

PRODUCT/DEFINITION

___ ZN1209-ND4 4 [102] No-Hub Stack, Double Inlet, 2 [51] Vent

PREFIXES

- ___ Z D.C.C.I. System with Zurn "ZZ" Adjustable Coupling*
- ___ ZQ D.C.C.I. System with Non-Adjustable Coupling

SUFFIXES

- ___ -B Blowout Type Fixture Support
- ___ -CC Corrosion Resistant Cast Iron Coupling
- ___ -JJ Two 2 [51] Auxiliary Inlets
- ___ -JS 2 [51] Stack Side Auxiliary Inlet
- ___ -JV 2 [51] Vent Side Auxiliary Inlet
- ___ -PF Pre-Fab Foot
- ___ -PS Pre-Fab Slotted Foot
- ___ -RYK Unistrut Pre-Fab Foot
- ___ -VP Vandal Proof Trim
- ___ -X3 3 [76] Inch Foot Extension (See Z1200-FT-EXT-3)
- ___ -X4 4 [102] Inch Foot Extension (See Z1200-FT-EXT-4)
- ___ -45 Finishing Frame for Siphon Jet System (See Z1200-FINFRAME-SJ)
- ___ -50 Flush Valve Supply Support for Water Close (See Z1200-SPLY-SPRT-WC)

* Regularly furnished unless otherwise specified.