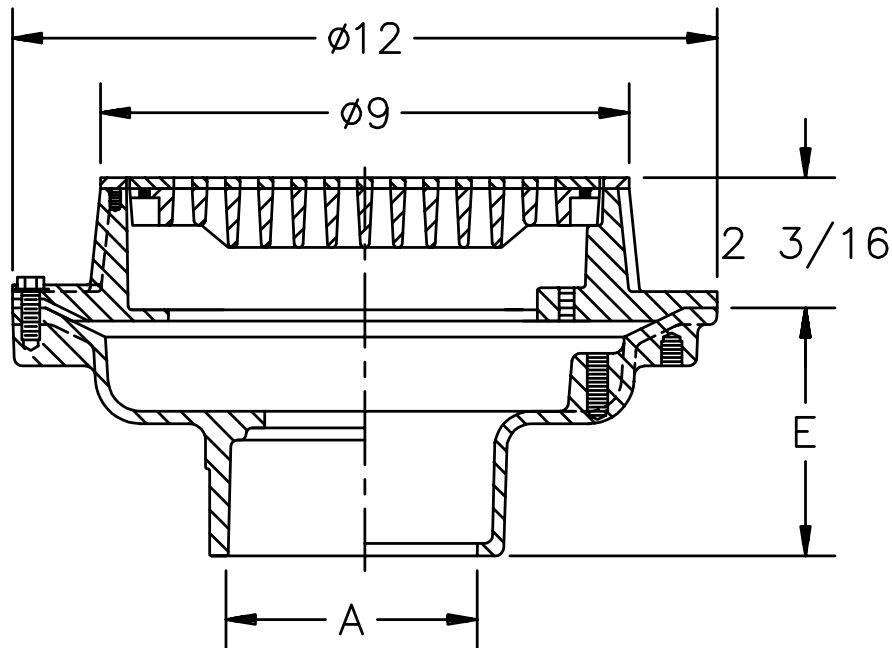




Z-550-86 9" DIAMETER HEAVY DUTY DRAIN

TAG _____

Dimensional Data (inches and [mm]) are Subject to Manufacturing Tolerances and Change Without Notice



A- Pipe Size In.	Approx. Wt. Lbs.	Grate Open Area Sq. In
2-3-4	22	14

ENGINEERING SPECIFICATION: ZURN Z-550-86 9" Diameter top drain, Dura-Coated cast iron body with bottom outlet, seepage pan and combination membrane flashing clamp and frame with stainless steel veneer grate and frame.

OPTIONS (Check/specify appropriate options)

OUTLET (Specify type)

- _____ **IC** Inside Caulk
- _____ **IG** Inside Caulk w/Sealtrol Gskt.
- _____ **IP** Threaded
- _____ **NH** No-Hub
- _____ **NL** Neo-Loc

PIPE SIZE (Specify size)

- _____ 2",3",4"
- _____ 2",3",4"
- _____ 2",3",4"
- _____ 2",3",4"
- _____ 2",3",4"

'E' BODY HT. DIMENSION

- 3-3/4"
- 3-3/4"
- 2-3/4"
- 4-3/4"
- 3-1/2"

PREFIXES

- _____ **ZS-** D.C.C.I. Body and Grate with Stainless Steel Veneer Frame and Grate*

SUFFIXES

- _____ **-AR** Acid Resisting Epoxy Coated Interior
- _____ **-P** Trap Primer Connection
- _____ **-S** Secondary Strainer
- _____ **-SS** Stainless Mesh Liner for Bucket
- _____ **-V** Backwater Valve (See Z-1099)
- _____ **-VP** Vandal Proof Secured Top
- _____ **-Y** Sediment Bucket
- _____ **-90** 90° Threaded Side Outlet Body (2" thru 4")

REV.	DATE: 2/4/93	C.N. NO. 68861
DWG. NO. P-13790 PRODUCT NO. Z-550-86		

*REGULARLY FURNISHED UNLESS OTHERWISE SPECIFIED