



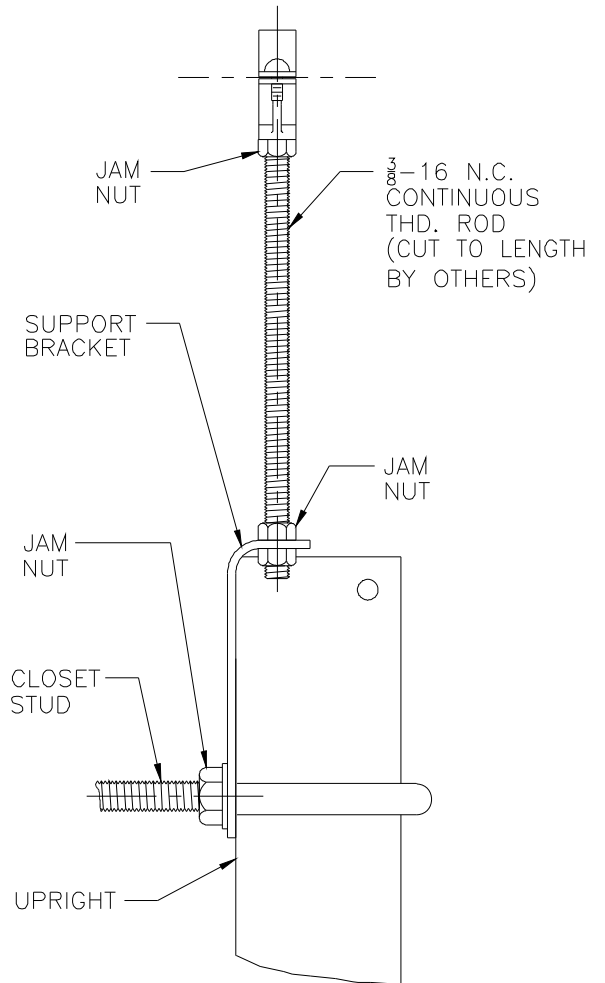
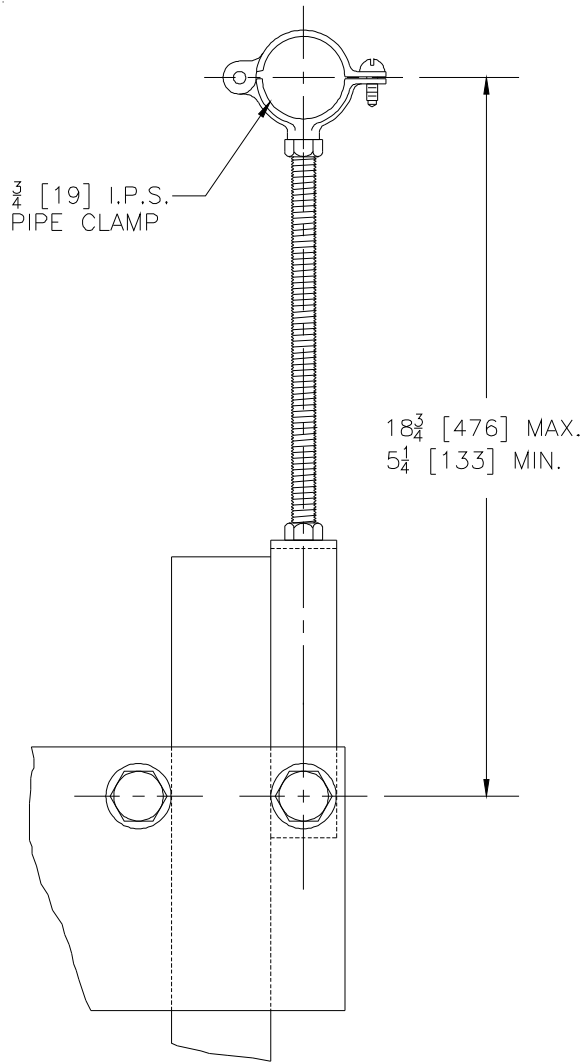
# Z1200-SPLY-SPRT-UR

## FLUSH VALVE SUPPLY SUPPORT FOR URINALS

SPECIFICATION SHEET

TAG \_\_\_\_\_

Dimensional Data (inches and [ mm ]) are Subject to Manufacturing Tolerances and Change Without Notice



### ENGINEERING SPECIFICATION: ZURN Z1200-SPLY-SPRT-UR Flush Valve Supply Support for Urinals.

\* Regularly furnished unless otherwise specified.

**Zurn Industries, LLC | Specification Drainage Operation**  
 1801 Pittsburgh Avenue, Erie, PA U.S.A. 16502 · Ph. 855-663-9876, Fax 814-454-7929  
 In Canada | **Zurn Industries Limited**  
 3544 Nashua Drive, Mississauga, Ontario L4V 1L2 · Ph. 905-405-8272, Fax 905-405-1292  
[www.zurn.com](http://www.zurn.com)

Rev. C  
 Date: 02/20/15  
 C.N. No. 132263  
 Prod. | Dwg. No. Z1200-SPLY-SPRT-UR