



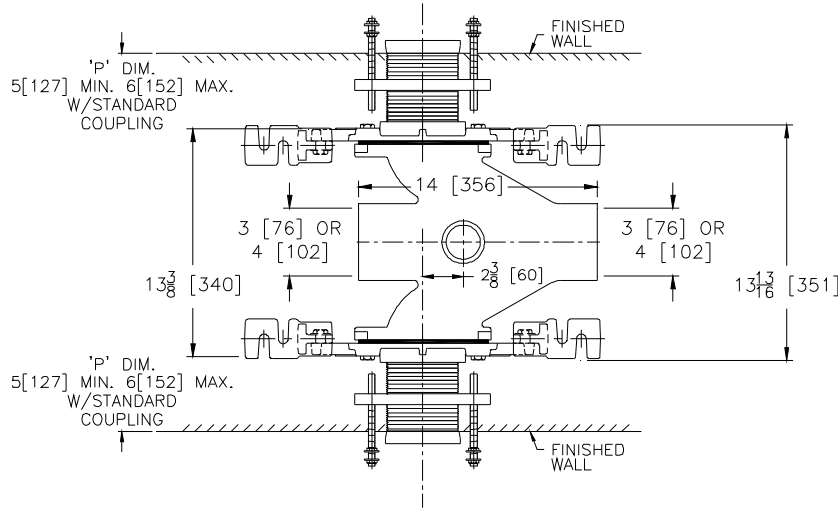
ZN1203-ND-128

NARROW WALL ADJUSTABLE BACK TO BACK HORIZONTAL SIPHON
JET NO-HUB W/ MODIFIED FACE PLATE FOR 4[102] ROUGH, BACK
OUTLET FIXTURE SUPPORT

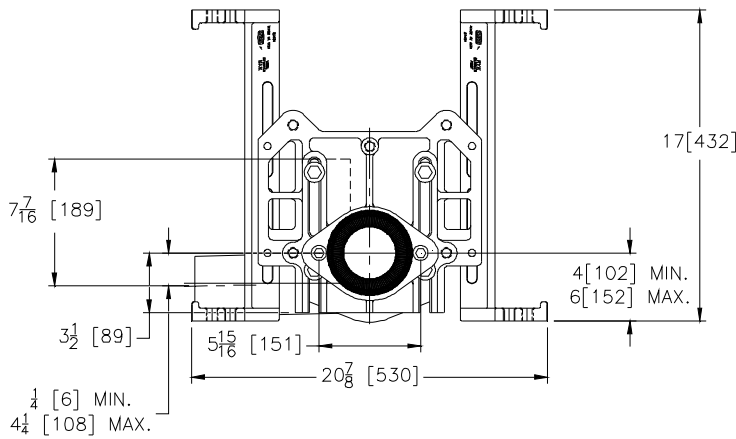
SPECIFICATION SHEET

TAG _____

Dimensional Data (inches and [mm]) are Subject to Manufacturing Tolerances and Change Without Notice



Product Number	Approx. Wt. Lbs. [kg]
ZN1203-ND3-128	104 [47]
ZN1203-ND4-128	120 [54]



Note:

1. Min. 'P' Dim. Obtainable = 2 [51]
2. Feet bolted to floor using min. 1/2 [13] dia. bolts and back slots on carrier feet.

ENGINEERING SPECIFICATION: ZURN ZN1203-ND-128

Adjustable, horizontal siphon jet water closet "Rigid System" with 3 [76] or 4 [102] No-Hub connections. Complete with Dura-Coated cast iron fitting, with 2 [51] vent, adjustable gasketed modified chase saver faceplates, RYK-Unistrut Pre-Fab foot supports, corrosion resistant adjustable ABS couplings with integral test cap, fixture bolts, trim, bonded "Neo-Seal" gaskets, and floor mount back outlet fixture supports.

OPTIONS (Check/specify appropriate options)

- _____ ZN1203-ND3-128 3 [76] No-Hub Back to Back Inlet (Double) w/ RYK foot
- _____ ZN1203-ND4-128 4 [102] No-Hub Back to Back Inlet (Double) w/ RYK foot

PREFIXES

- _____ Z D.C.C.I. System with Zurn "ZZ" Adjustable Coupling*
- _____ ZQ D.C.C.I. System with NPT Faceplate, Non-Adjustable Coupling

SUFFIXES

- _____ -VP Vandal Proof Trim
- _____ -50 Flush Valve Supply Support for Water Closets
- _____ -61 "ZZ" Coupling Wrench

* Regularly furnished unless otherwise specified.