



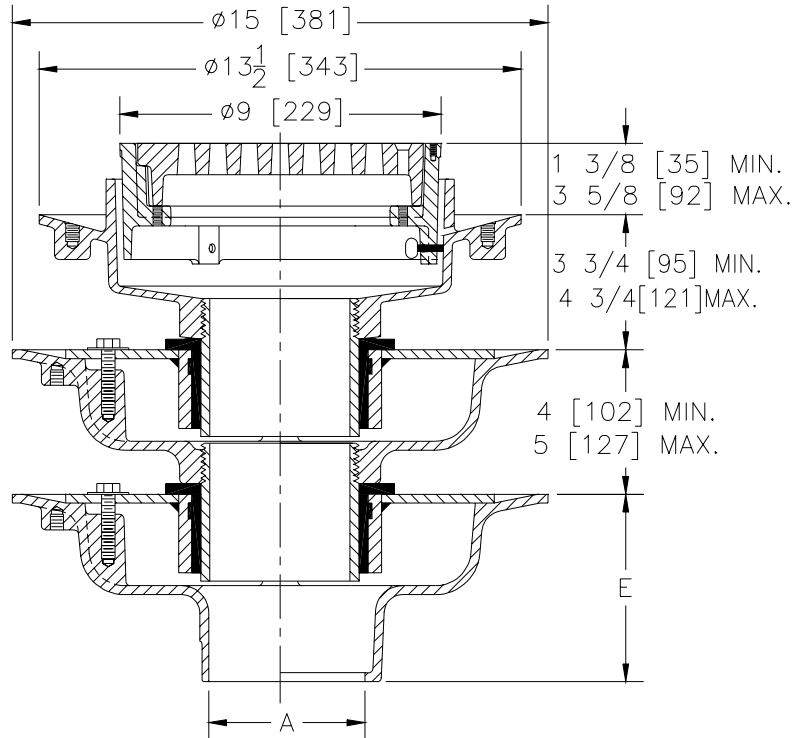
Z-627-79

ISOLATION DECK ADJUSTABLE HEAVY DUTY DRAIN

SPECIFICATION SHEET

TAG _____

Dimensional Data (inches and [mm]) are Subject to Manufacturing Tolerances and Change Without Notice



A- Pipe Size In.	Approx. Wt. Lbs. [kg]	Grate Open Area Sq. In. [cm ²]
2-3-4 [50-75-100]	65 [29]	18 [116]
5-6 [125-150]		

ENGINEERING SPECIFICATION: ZURN Z-627-79 Isolation deck adjustable drain, Dura-Coated cast iron upper and lower bodies, clamp collars, neoprene flex gaskets, isolation nipples and 10 [254] diameter round heavy duty grate.

OPTIONS (Check/specify appropriate options)

PIPE SIZE

(Specify size/type) **OUTLET**

'E' BODY HT. DIM.

2 thru 6 [50 thru 150]	___ IC Inside Caulk	5 1/4 [133]
2 thru 4, 6 [50 thru 100, 150]	___ IG Inside Caulk w/Sealtrol Gskt.	5 1/4 [133]
2 thru 6 [50 thru 150]	___ IP Threaded	3 3/4 [95]
2 thru 6 [50 thru 150]	___ NH No-Hub	5 1/4 [133]
2 thru 4 [50 thru 100]	___ NL Neo-Loc	4 5/8 [117]

PREFIXES

- ___ Z- D.C.C.I. Body and Grate*
- ___ ZB- D.C.C.I Body w/Polished Bronze Top (Add 3/16 [5] to 2 [51] and 5/8 [16] to 9 [229] Dim.)
- ___ ZN- D.C.C.I Body w/Polished Nickel Bronze Top (Add 3/16 [5] to 2 [51] and 5/8 [16] to 9 [229] Dim.)

SUFFIXES

- ___ -C Underdeck Clamp
- ___ -DG Guresist Grate
- ___ -F Extension
- ___ -G Galvanized Cast Iron
- ___ -R Sump Receiver
- ___ -SC Solid Cover
- ___ -TS Top Secured with Slotted Screws
- ___ -VP Vandal Proof Secured Top
- ___ -Y Sediment Bucket

REV. DATE: 10/22/98 C.N. NO. 81430

DWG. NO. P-14675 PRODUCT NO. Z-627-79

*REGULARLY FURNISHED UNLESS OTHERWISE SPECIFIED