



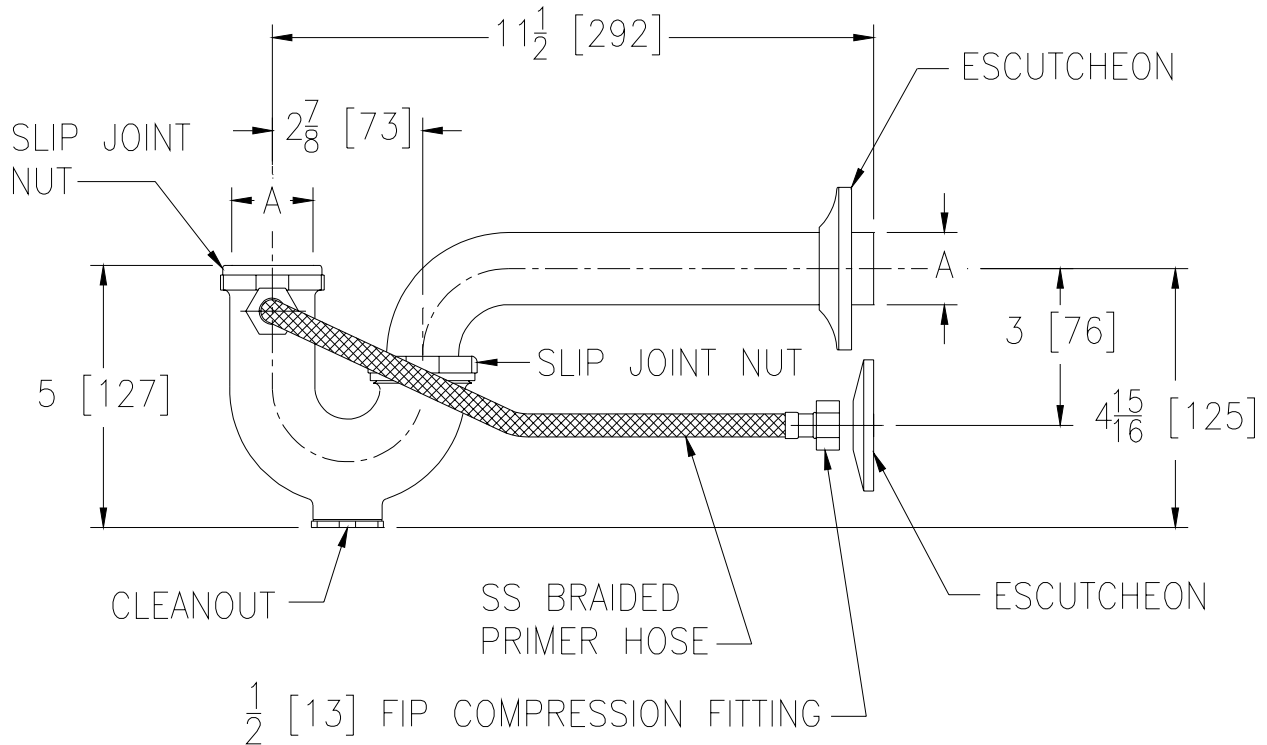
# Z1021-WL

## WATER SAVER TRAP PRIMER (1 1/2 [38] SLIP JOINT WALL CONNECTION)

SPECIFICATION SHEET

TAG \_\_\_\_\_

Dimensional Data (inches and [ mm ]) are Subject to Manufacturing Tolerances and Change Without Notice



A - Pipe Size
1 1/2 [38]

**ENGINEERING SPECIFICATION:** ZURN Z1021-WL Water Saver Trap Primer, chrome plated polished cast brass body with cleanout, one piece waste elbow, 1 1/2 [38] slip nuts and washers, and reducing washer for 1 1/4 [32] sink tail piece hookup, escutcheons and stainless steel braided primer hose with 1/2 [13] FIP compression fittings.

**OPTIONS** (Check/specify appropriate options)

**PREFIXES**

\_\_\_ Z Polished Chrome Plated\*

REV. A	DATE: 11/11/04	C.N. NO. 92717
DWG. NO. 66666	PRODUCT NO. Z1021-WL	

\*REGULARLY FURNISHED UNLESS OTHERWISE SPECIFIED