



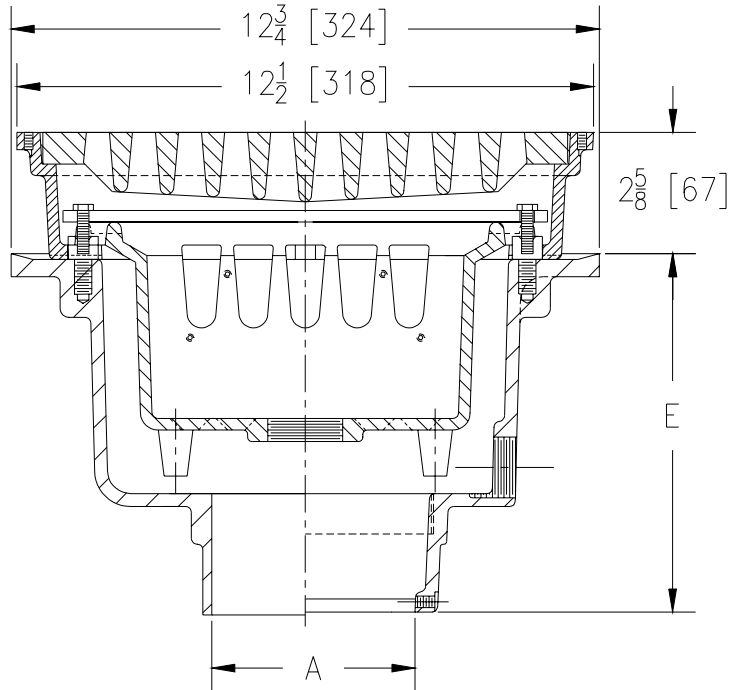
Z-610-95

12 [305] HEAVY DUTY DRAIN

SPECIFICATION SHEET

TAG _____

Dimensional Data (inches and [mm]) are Subject to Manufacturing Tolerances and Change Without Notice



A- Pipe Size In.	Approx. Wt. Lbs. [kg]	Grate Open Area Sq. In. [cm ²]
2-3-4-5-6 [50-75-100-125-150]	54 [24]	40 [258]

ENGINEERING SPECIFICATION: ZURN Z-610-95 12 [305] Square top drain, Dura-Coated cast iron body with bottom outlet, seepage pan and combination membrane flashing clamp and frame for heavy duty cast iron loose slotted grate, with secured suspended sediment bucket.

OPTIONS (Check/specify appropriate options)

PIPE SIZE

- 2 thru 6 [50 thru 150]
- 2 thru 6 [50 thru 150]
- 2 [50]
- 3 [75]
- 4 thru 6 [100 thru 150]
- 2 thru 4, 6 [50 thru 100, 150]
- 2 thru 4 [50 thru 100]

(Specify size/type) **OUTLET**

- _____ IC Inside Caulk
- _____ IG Inside Caulk w/Sealtrol Gskt.
- _____ IP Threaded
- _____ IP Threaded
- _____ IP Threaded
- _____ NH No-Hub
- _____ NL Neo-Loc

'E' BODY HT. DIM.

- 7 3/4 [197]
- 7 3/4 [197]
- 5 3/4 [146]
- 6 1/16 [154]
- 6 5/16 [160]
- 7 13/16 [198]
- 7 1/4 [183]

PREFIXES

- _____ Z- D.C.C.I. Body and Grate*
- _____ ZB- D.C.C.I. Body w/Polished Bronze Top (Add 3/16 [5] to 2 5/8 [67] Dim. and 3/4 [19] to 12 1/2 [318] Dim.)
- _____ ZN- D.C.C.I. Body w/Polished Nickel Bronze Top (Add 3/16 [5] to 2 5/8 [67] Dim. and 3/4 [19] to 12 1/2 [318] Dim.)

SUFFIXES

- _____ -AR Acid Resistant Epoxy Coated Finish
- _____ -DG Duresist Grate
- _____ -G Galvanized Cast Iron
- _____ -P Trap Primer Connection
- _____ -S Secondary Strainer
- _____ -TS Top Secured with Slotted Screws
- _____ -V Backwater Valve (See Z-1099)
- _____ -VP Vandal Proof Secured Top
- _____ -YA Aluminum Sediment Bucket
- _____ -90 90° Threaded Side Outlet Body

*REGULARLY FURNISHED UNLESS OTHERWISE SPECIFIED

REV.	DATE: 8/30/99	C.N. NO. 83096
DWG. NO. P-14743		PRODUCT NO. Z-610-95

ZURN INDUSTRIES, INC. ♦ SPECIFICATION DRAINAGE OPERATION ♦ 1801 Pittsburgh Ave. ♦ Erie, PA 16514

Phone: 814/455-0921 ♦ Fax: 814/454-7929 ♦ World Wide Web: www.zurn.com

In Canada: ZURN INDUSTRIES LIMITED ♦ 3544 Nashua Drive ♦ Mississauga, Ontario L4V1L2 ♦ Phone: 905/405-8272 Fax: 905/405-1292