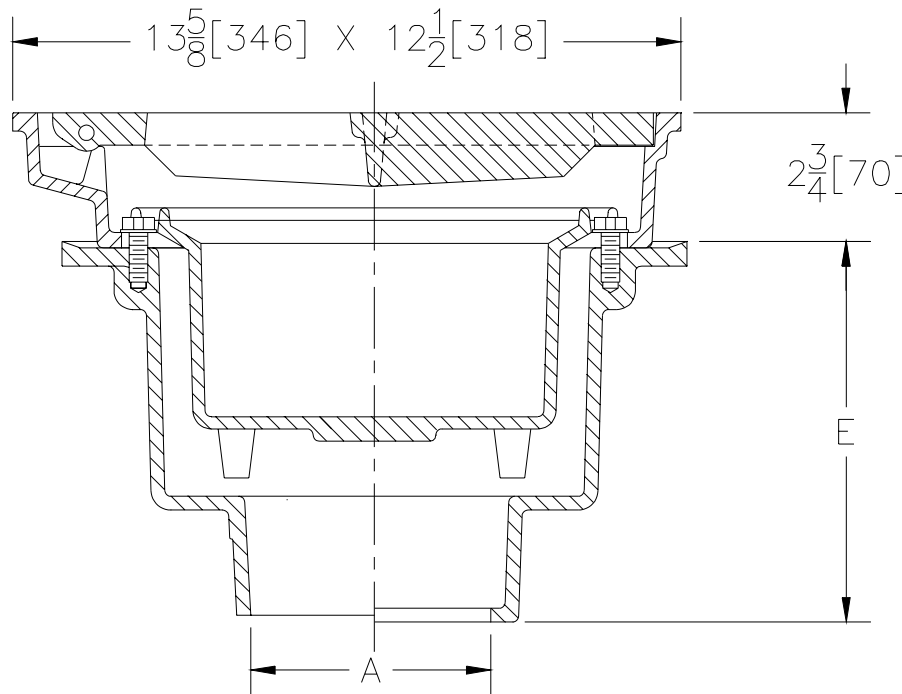




Z-662-78
12" X 14" [305 X 356]
EXTRA HEAVY DUTY DRAIN

TAG _____

Dimensional Data (inches and [mm]) are Subject to Manufacturing Tolerances and Change Without Notice



A- Pipe Size In.	Approx. Wt. Lbs. [kg]	Grate Open Area Sq. In. [cm ²]
3-4 [75-100]	84 [38]	44 [284]
5-6 [125-150]	90 [41]	

ENGINEERING SPECIFICATION: Z-662-78 12 X 14 [305 X 356] Top drain, Dura-Coated cast iron body with bottom outlet, seepage pan and combination membrane flashing clamp and frame for cast iron hinged extra heavy duty slotted grate with suspended sediment bucket.

OPTIONS (Check/specify appropriate options)

PIPE SIZE

- 3 thru 6 [75 thru 150]
- 3, 4, 6 [75, 100, 150]
- 3 thru 6 [75 thru 150] (IP w/Z-1040-1)
- 3, 4 [75, 100]

(Specify size/type) **OUTLET**

- ___ IC Inside Caulk
- ___ IG Inside Caulk w/Sealtrol Gskt.
- ___ IP Threaded
- ___ NH No-Hub
- ___ NL Neo-Loc

'E' BODY HT. DIM.

- 7 3/4 [197]
- 7 3/4 [197]
- 6 3/8 [162]
- 7 1/8 [181]

PREFIXES

- ___ Z- D.C.C.I. Body and Grate*
- ___ ZB- D.C.C.I Body w/Polished Bronze Top (Add 3/16 [5] to 3 3/8 [86] and 1 1/16 [17] to 16 [406] Dim.)
- ___ ZN- D.C.C.I Body w/Polished Nickel Bronze Top (Add 3/16 [5] to 3 3/8 [86] and 1 1/16 [17] to 16 [406] Dim.)

SUFFIXES

- ___ -DG Duresist Grate
- ___ -G Galvanized Cast Iron
- ___ -SS Stainless Mesh Liner for Bucket
- ___ -TS Top Secured With Slotted Screws
- ___ -V Backwater Valve (See Z-1099)
- ___ -VP Vandal Proof Secured Top
- ___ -YA Aluminum Sediment Bucket
- ___ -90 90° Threaded Side Outlet Body

*REGULARLY FURNISHED UNLESS OTHERWISE SPECIFIED

REV.	DATE: 12/14/95	C.N. NO. 73415
DWG. NO. P-14264		PRODUCT NO. Z-662-78