



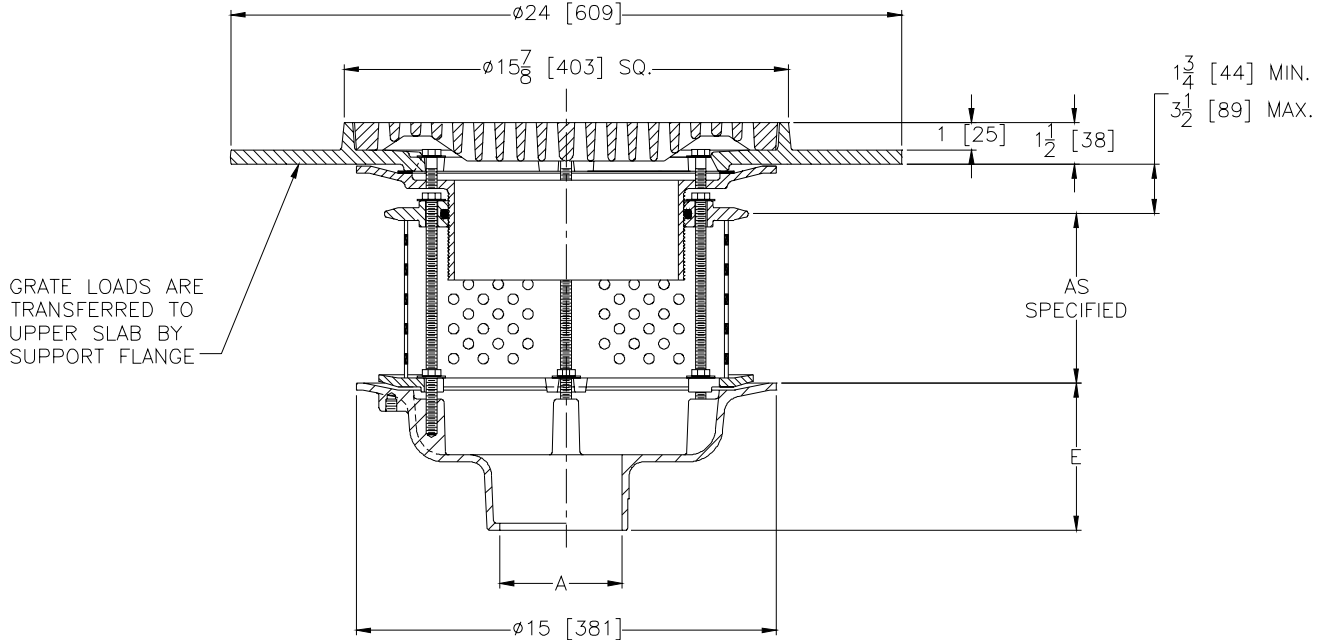
# Z537-120

## 16 [406] SQUARE TOP HEAVY-DUTY PARKING DECK DRAIN W/SUPPORT FLANGE, PERFORATED EXTENSION & ADJUSTABLE EXTENSION

SPECIFICATION SHEET

TAG \_\_\_\_\_

Dimensional Data (inches and [ mm ]) are Subject to Manufacturing Tolerances and Change Without Notice



A - Pipe Size In.	Approx. Wt. Lbs. [kg]	Grate Open Area Sq. In. [cm <sup>2</sup> ]
2-3-4-5-6 [51-76-102-127-152]	132 [60]	79 [510]
8-10 [203-254]	134 [61]	

**ENGINEERING SPECIFICATION:** ZURN Z537-120 16 [406] Square Top Parking Deck Drain with heavy-duty gasketed drain support flange, heavy-duty slotted grate, adjustable extension, perforated extension, secondary clamping collar and Dura-Coated cast iron lower body with bottom outlet.

**OPTIONS** (Check/specify appropriate options)

**PIPE SIZE**

(Specify size/type) **OUTLET**

**'E' BODY HT. DIM.**

2 thru 6-8-10 [51 thru 152-203-254]	___ IC	Inside Caulk	5 1/4 [133]
2 thru 4-6 [51 thru 102-152]	___ IG	Inside Caulk w/Sealtrol Gskt.	5 1/4 [133]
2 thru 6-8-10 [51 thru 152-203-254]	___ IP	Threaded	3 3/4 [95]
2 thru 6-8-10 [51 thru 152-203-254]	___ NH	No-Hub	5 1/4 [133]
2 thru 4 [51 thru 102]	___ NL	Neo-Loc	4 5/8 [117]

**PREFIXES**

- \_\_\_ Z D.C.C.I. Body and Top\*
- \_\_\_ ZB D.C.C.I. Body with Polished Bronze Top (Add 3/16 [5] to 1 1/2 [38] Dim.)
- \_\_\_ ZN D.C.C.I. Body with Polished Nickel Bronze Top(Add 3/16 [5] to 1 1/2 [38] Dim.)

**SUFFIXES**

- \_\_\_ -C Underdeck Clamp
- \_\_\_ -DG Duresist Grate
- \_\_\_ -G Galvanized Cast Iron
- \_\_\_ -TC Neo-Loc Test Cap Gasket  
(2 [51]-4 [102] NL Bottom Outlet Only)
- \_\_\_ -VP Vandal-Proof Secured Top
- \_\_\_ -XJ Vertical Expansion Joint (See Z190)  
(Use with IP Type Outlet)

REV.	DATE: 3/23/05	C.N. NO. 93143
DWG. NO. P-15136 PRODUCT NO. Z537-120		

\*REGULARLY FURNISHED UNLESS OTHERWISE SPECIFIED