



# Z1203-127

SPECIFICATION SHEET

## NARROW WALL ADJUSTABLE HORIZONTAL SIPHON JET NO-HUB W/ ELONGATED FITTING

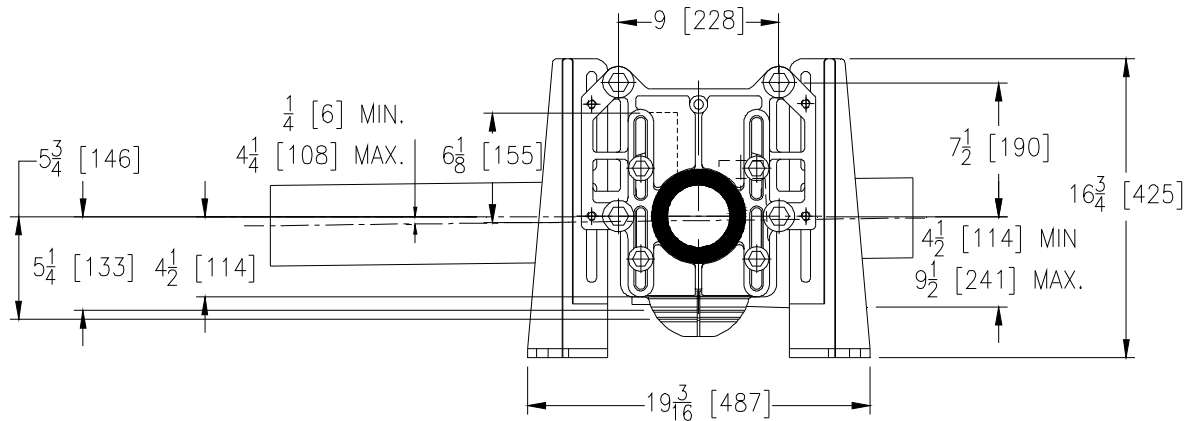
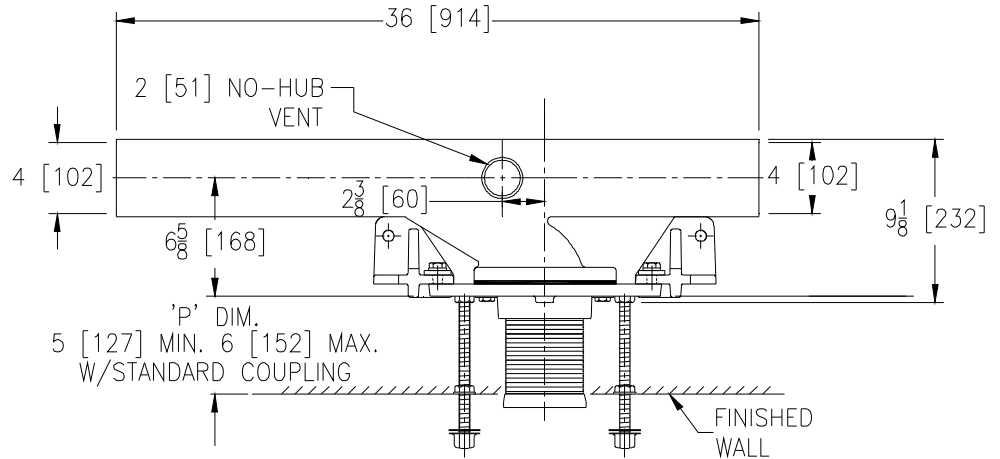
TAG \_\_\_\_\_

Dimensional Data (inches and [ mm ]) are Subject to Manufacturing Tolerances and Change Without Notice

Product No.	Approx. Wt. Lbs. [kg]
ZE1203-NL4-127	84 [38]
ZE1203-NR4-127	

**Note:**

1. Min. 'P' Dim. Obtainable=2 [51]
2. Feet bolted to floor using min. 1/2 [13] dia. bolts and back slots on carrier feet.



**ENGINEERING SPECIFICATION: ZURN ZE1203-127**

Narrow wall adjustable, horizontal siphon jet water closet "Rigid System" with 4 [102] No-Hub connections. Complete with Dura-Coated cast iron right hand or left hand, elongated main fitting, with 2 [51] vent, adjustable gasketed faceplate, floor mounted foot supports, corrosion resistant adjustable ABS coupling with integral test cap, fixture bolts, trim, stud protectors, and bonded "Neo-Seal" gasket. Carrier complies with all applicable requirements of ASME A112.6.1M up to a 300-Lb[136] load

**PRODUCT/DEFINITION**

ZE1203-NR4-127	4 [102] No-Hub Right Hand Inlet with Flow to Left
ZE1203-NL4-127	4 [102] No-Hub Left Hand Inlet with Flow to Right

**PREFIXES**

- \_\_\_ ZE D.C.C.I. Elongated Fitting System with Zurn "ZZ" Adjustable Coupling\*
- \_\_\_ ZE-Q D.C.C.I. Elongated Fitting System with NPT Face Plate, Non-Adjustable Coupling

**SUFFIXES**

- \_\_\_ -B Blowout Type Fixture Support
- \_\_\_ -BC Back Cleanout
- \_\_\_ -CC Corrosion Resistant Cast Iron Coupling (6 [152] to 12 [305])
- \_\_\_ -F Floor Mounted, Back Outlet Fixture Support
- \_\_\_ -G Galvanized Cast Iron
- \_\_\_ -VP Vandal-Proof Trim
- \_\_\_ -29 Mechanical Test Cap Assembly
- \_\_\_ -45 Finishing Frame for Siphon Jet System (For Blowout System Specify -45-B)
- \_\_\_ -50 Flush Valve Supply Support for W.C.
- \_\_\_ -61 "ZZ" Coupling Wrench

\*REGULARLY FURNISHED UNLESS OTHERWISE SPECIFIED

REV.	DATE: 10/08/12	C.N. NO. 124802
DWG. NO. 310582	PRODUCT NO. Z1203-127	

ZURN INDUSTRIES, LLC. ♦ SPECIFICATION DRAINAGE OPERATION ♦ 1801 Pittsburgh Ave. ♦ Erie, PA 16514

Phone: 814/455-0921 ♦ Fax: 814/454-7929 ♦ World Wide Web: www.zurn.com

In Canada: ZURN INDUSTRIES LIMITED ♦ 3544 Nashua Drive ♦ Mississauga, Ontario L4V1L2 ♦ Phone: 905/405-8272 Fax: 905/405-1292