



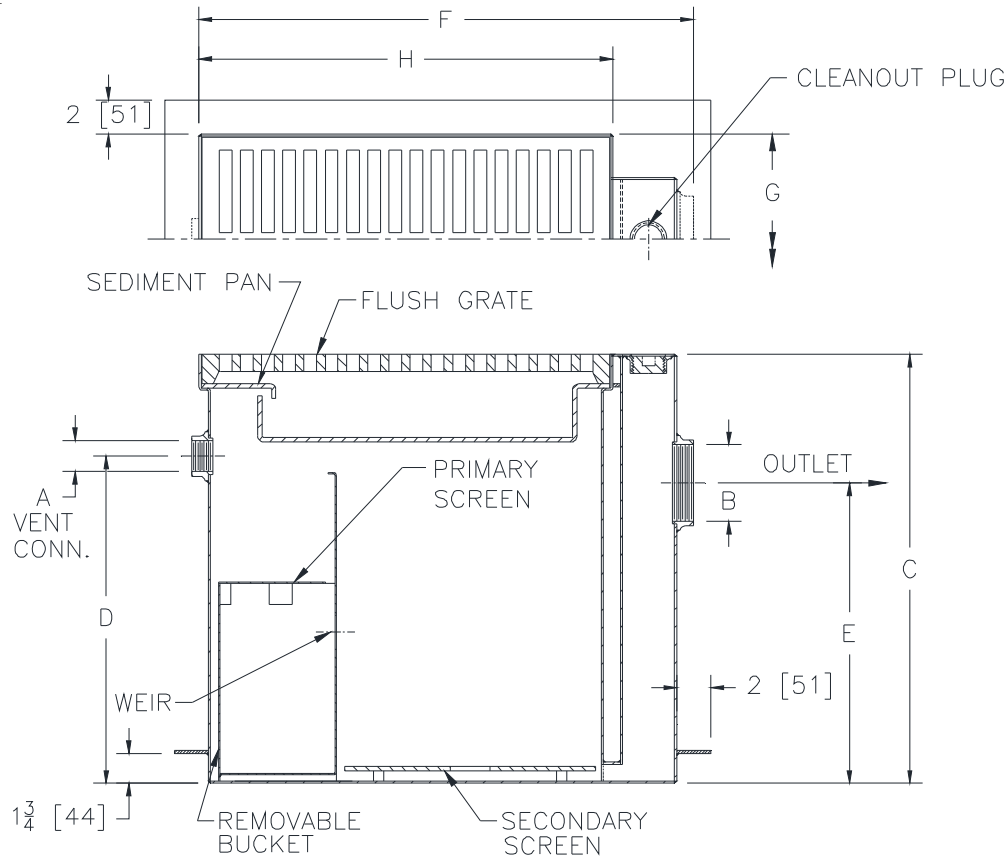
# Z1189-89

## OIL/SEDIMENT INTERCEPTOR W/BOTTOM ANCHOR FLANGE & HEAVY-DUTY GRATE

SPECIFICATION SHEET

TAG \_\_\_\_\_

Dimensional Data (inches and [ mm ]) are Subject to Manufacturing Tolerances and Change Without Notice



Size	Sludge Capacity Lbs. [kg]	Grate Open Area [cm <sup>2</sup> ]	No. of Grates	No. of Pans	Approx. Wt. Lbs. [kg]	A Vent Size	B Pipe Size	Dimension In Inches					
								C	D	E	F	G	H
12	12 [5]	49 [316]	1	1	70 [32]	----	2 [50]	15 [381]	----	10 1/2 [267]	17 1/8 [435]	11 3/8 [289]	12 3/8 [314]
60	60 [27]	131 [845]	1	1	175 [79]	2 [51]	4 [75]	25 1/4 [641]	19 1/4 [489]	17 5/8 [448]	29 1/8 [740]	12 3/8 [314]	24 3/8 [619]
100	100 [45]	262 [1690]	2	1	280 [127]	2 [51]	4 [75]	33 [838]	27 [686]	22 [559]	29 1/8 [740]	24 3/8 [619]	24 3/8 [619]
200	200 [91]	393 [2535]	3	1	370 [168]	2 [51]	4 [75]	33 [838]	27 [686]	22 [559]	41 1/8 [1044]	24 3/8 [619]	36 3/8 [924]
300	300 [136]	524 [3380]	4	1	460 [208]	2 [51]	4 [75]	33 [838]	27 [686]	22 [559]	53 1/8 [1349]	24 3/8 [619]	48 3/8 [1229]

### ENGINEERING SPECIFICATION: ZURN Z1189-89

Acid Resistant Coated interior and exterior fabricated steel oil/sediment interceptor with bottom anchor flange, bronze cleanout plug and visible double wall trap seal, removable sediment bucket, horizontal baffle, internal vent connection with Dura-Coated heavy-duty cast iron grate.

### PREFIXES

\_\_\_ Z Acid Resistant Coated Fabricated Steel\*

### SUFFIXES

- \_\_\_ -DG Duresist Grate
- \_\_\_ -E Acid Resistant Coated Interior and exterior fabricated steel extension section. (Specify 'C' Dim. required)
- \_\_\_ -SC Heavy-Duty Solid Traffic Cover (max. safe live load 10,000 lbs. [4536kg.] )

\* Regularly furnished unless otherwise specified.