



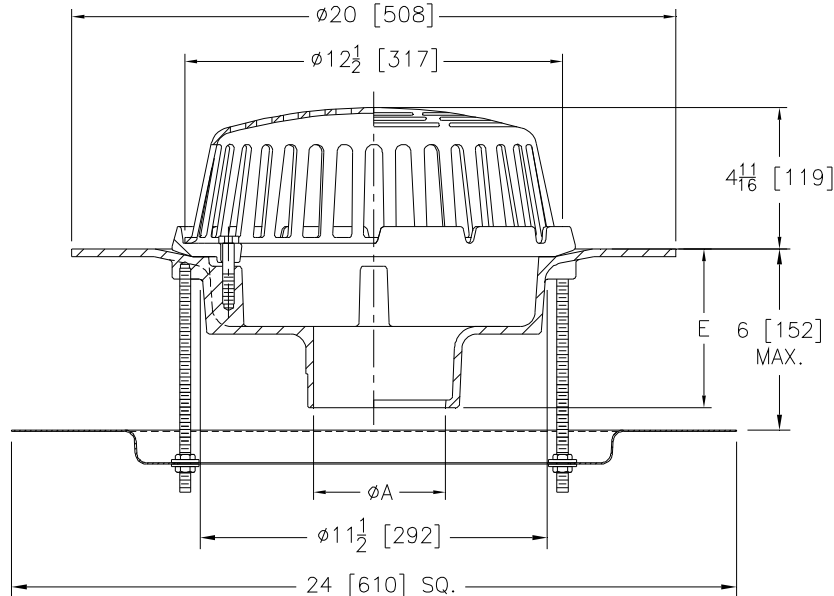
Z107-95

20 [508] WIDE DECK FLANGE ROOF DRAIN W/ TOP-SET® ADJUSTABLE EXTENSION

SPECIFICATION SHEET

TAG _____

Dimensional Data (inches and [mm]) are Subject to Manufacturing Tolerances and Change Without Notice



A- Pipe Size In.	Approx. Wt. Lbs. [kg]	Dome Open Area Sq. In. [cm ²]
3-4 [76-102]	39 [18]	103 [665]
6-8 [152-203]		

ENGINEERING SPECIFICATION: ZURN Z107-95
20 [508] Diameter wide deck flange roof drain with Top-Set® adjustable extension. Dura-Coated cast iron with combination membrane flashing clamp/gravel guard and low silhouette Poly-Dome.

OPTIONS (Check/specify appropriate options)

PIPE SIZE	(Specify size/type)	OUTLET	E BODY HT. DIM.
3,4,6 [76,102,152]	_____	IC Inside Caulk	5 1/4 [133]
3,4,6,8 [76,102,152,203]	_____	NH No-Hub	5 1/4 [133]

PREFIXES

- ___ Z D.C.C.I. Body with Poly-Dome*
- ___ ZA D.C.C.I. Body with Aluminum Dome
- ___ ZC D.C.C.I. Body with Cast Iron Dome
- ___ ZRB D.C.C.I. Body with Plain Bronze Dome

SUFFIXES

- ___ -AR Acid Resistant Epoxy Coated Finish
- ___ -AW 3/4 [19] to 4 [102] Adjustable Water Level Regulator
- ___ -BS Bronze Mesh Screen Over Dome
- ___ -FG Flush Grate
- ___ -G Galvanized Cast Iron
- ___ -GD Galvanized Cast Iron Dome
- ___ -HD High Dome
- ___ -SS Stainless Steel Mesh Screen Over Dome
- ___ -VP Vandal Proof Secured Top
- ___ -W2 2 [51] Internal Water Dam
- ___ -W3 3 [76] Internal Water Dam
- ___ -W4 4 [102] Internal Water Dam
- ___ -XJ Vertical Expansion Joint (See Z190)
- ___ -89 2 [51] High External Water Dam

*REGULARLY FURNISHED UNLESS OTHERWISE SPECIFIED

REV.	DATE: 11/27/06	C.N. NO. 95876
DWG. NO. P-15355	PRODUCT NO. Z107-95	