

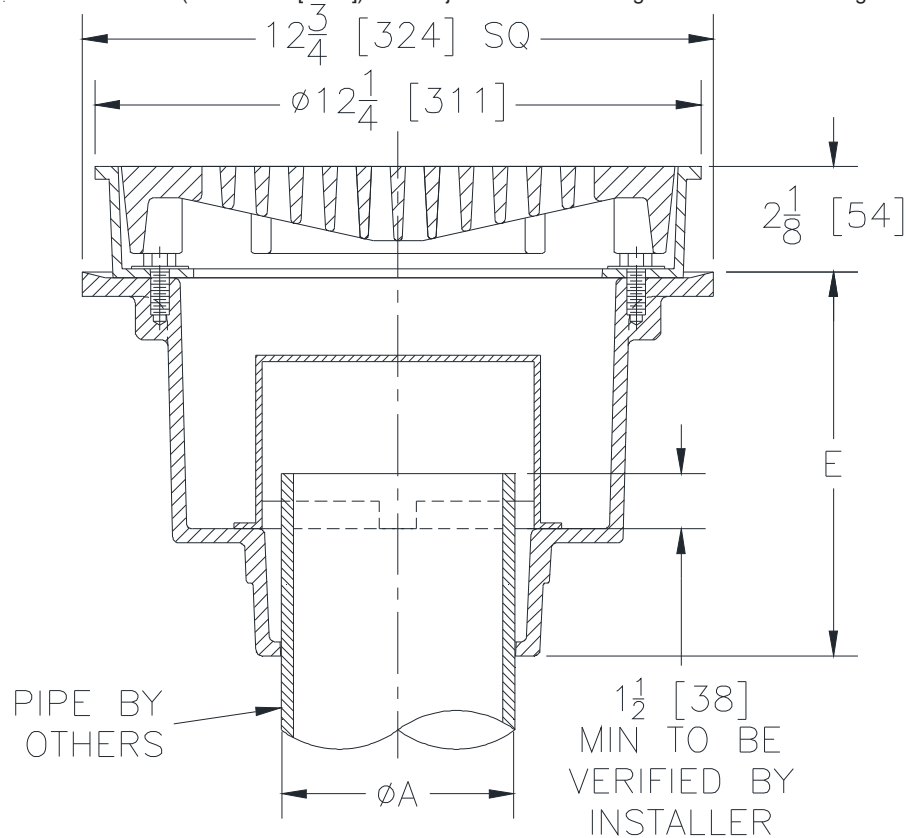
**Z512-86**

12 [305] HEAVY-DUTY DRAIN W/ BELL TRAP

SPECIFICATION SHEET

TAG _____

Dimensional Data (inches and [mm]) are Subject to Manufacturing Tolerances and Change Without Notice



A- Pipe Size In. [mm]	Approx. Wt. Lbs. [kg]	Grate Open Area Sq. In. [cm ²]
3,4,6 [76,102,152]	44 [20]	30 [194]

ENGINEERING SPECIFICATION: ZURN Z512-86

12" [305mm] Diameter top drain, Dura-Coated cast iron deep sump body with bottom outlet, seepage pan and combination flashing clamp and frame for heavy-duty tractor grate complete with Bell Trap.

OPTIONS (Check/specify appropriate options)**PIPE SIZE**

3,4,6 [76,102,152]

(Specify size/type) OUTLET

____ IC Inside Caulk

'E' BODY HT. DIM.

7-3/4 [197]

PREFIXES

- ____ Z D.C.C.I. Body and Top*
- ____ ZB D.C.C.I. Body with Polished Bronze Top (Add 3/16 [5] to 2-1/8 [54] Dim. and 3/4 [20] to 12-1/4 [311] Dim.)
- ____ ZN D.C.C.I. Body with Polished Nickel Bronze Top (Add 3/16 [5] to 2-1/8 [54] Dim. and 3/4 [20] to 12-1/4 [311] Dim.)

SUFFIXES

- ____ -AR Acid Resisting Epoxy Coated Cast Iron
- ____ -DG Duresist Grate
- ____ -G Galvanized Cast Iron
- ____ -HP Heel-Proof Grate
- ____ -PH Grate with 3/8 [10] Diameter Opening (Z only)
- ____ -SS Stainless Mesh Liner for Bucket
- ____ -T Square Top
- ____ -TS Top Secured with Slotted Screws
- ____ -VP Vandal-Proof Secured Top

* Regularly furnished unless otherwise specified.

Zurn Industries, LLC | Specification Drainage Operation
 1801 Pittsburgh Avenue, Erie, PA U.S.A. 16502 · Ph. 855-663-9876, Fax 814-454-7929
 In Canada | **Zurn Industries Limited**
 3544 Nashua Drive, Mississauga, Ontario L4V 1L2 · Ph. 905-405-8272, Fax 905-405-1292
www.zurn.com

Rev. -
 Date: 07/13/2017
 C.N. No. 137326
 Prod. | Dwg. No. Z512-86