



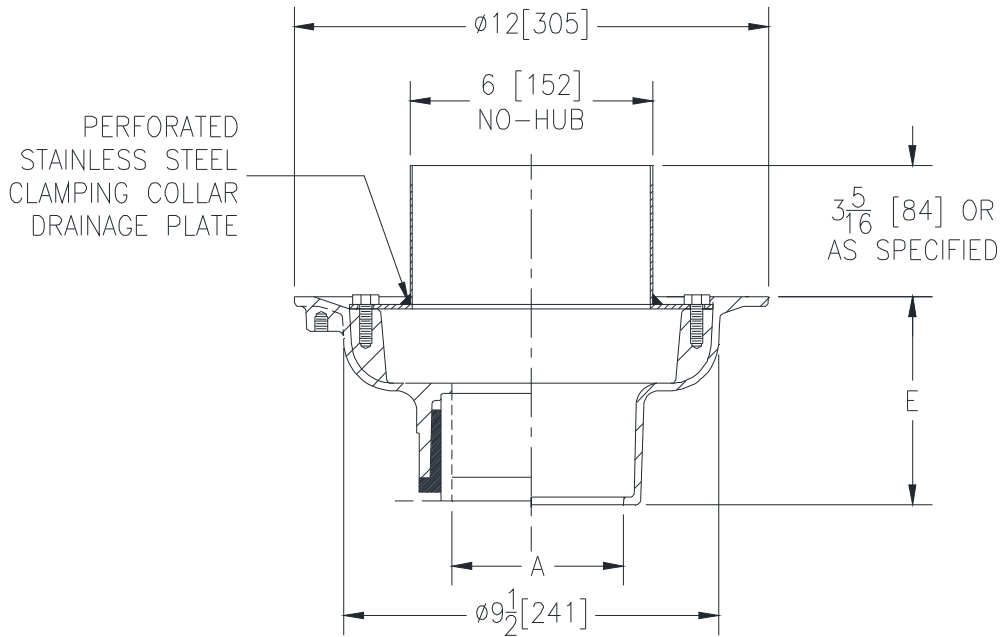
# Z121-129

SPECIFICATION SHEET

## 12 [305] DIAMETER ROOF DRAIN WITH STAINLESS STEEL PERFORATED PLATE & 6 [152] NO-HUB ADAPTER

TAG \_\_\_\_\_

Dimensional Data (inches and [ mm ]) are Subject to Manufacturing Tolerances and Change Without Notice



A - Pipe Size In.[mm]	Approx. Wt. Lbs. [kg]
2,3,4,6 [51,76,102,152]	22 [10]

**ENGINEERING SPECIFICATION: ZURN Z121-129**  
 12" [305 mm] Diameter roof drain, Dura-Coated cast iron body with stainless steel perforated plate with 6" [152 mm] No-Hub adapter.

### OPTIONS (Check/specify appropriate options)

#### PIPE SIZE

- 2,3,4,6 [51,76,102,152]
- 2,3,4,6 [51,76,102,152]
- 2,3,4,6 [51,76,102,152]
- 2,3,4 [51,76,102,152]

#### (Specify size/type) OUTLET

- \_\_\_\_\_ IC Inside Caulk
- \_\_\_\_\_ IP Threaded
- \_\_\_\_\_ NH No-Hub
- \_\_\_\_\_ NL Neo-Loc

#### 'E' BODY HT. DIM.

- 5-1/4 [133]
- 3-3/4 [95]
- 5-1/4 [133]
- 4-5/8 [117]

#### PREFIXES

- \_\_\_\_\_ Z D.C.C.I Body and Top\*

#### SUFFIXES

- \_\_\_\_\_ -AC Angular Underdeck Clamp
- \_\_\_\_\_ -C Underdeck Clamp
- \_\_\_\_\_ -DP Top-Set® Deck Plate (Replaces both the -C and -R)
- \_\_\_\_\_ -G Galvanized Cast Iron
- \_\_\_\_\_ -R Roof Sump Receiver
- \_\_\_\_\_ -TC Neo-Loc Test Cap Gasket (2-4 [51-102] NL Bottom Outlet Only)
- \_\_\_\_\_ -XJ Vertical Expansion Joint (See Z190)
- \_\_\_\_\_ -90 90° Threaded Side Outlet Body (2 thru 6 [51 thru 152])

\* Regularly furnished unless otherwise specified.