



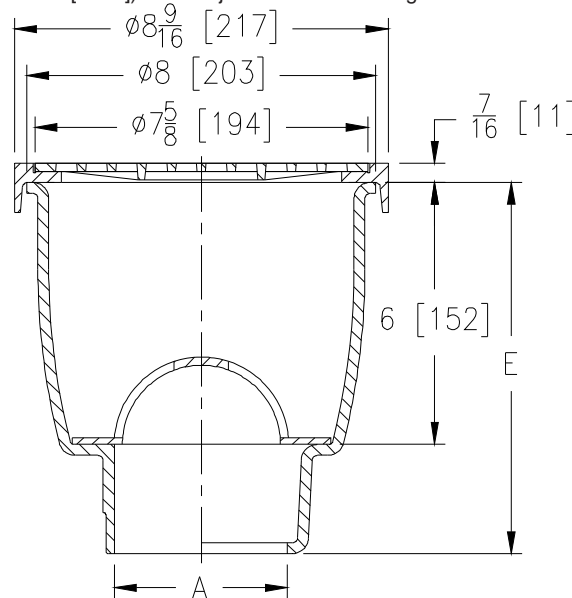
ZN1960-11

8-9/16 [217] DIAMETER A.R.E. SANI-FLOR RECEPTOR
6 [152] SUMP DEPTH W/ NICKEL BRONZE FRAME
AND VANDAL-PROOF SECURED GRATE

SPECIFICATION SHEET

TAG _____

Dimensional Data (inches and [mm]) are Subject to Manufacturing Tolerances and Change Without Notice



A Pipe Size In. [mm]	Approx Wt. Lbs. [kg]	Grate Open Area Sq. In. [cm ²]
2,3,4 [51,76,102]	25 [11]	14 [90]

ENGINEERING SPECIFICATION: ZURN ZN1960-11

Sani-Flor Receptor 8" [203mm] diameter x 6" [152mm] deep cast iron body with white acid resisting porcelain enamel interior, black ground enamel exterior coating, 8-9/16" [217mm] diameter nickel bronze frame and vandal-proof secured squared hole light-duty grate, complete with white ABS anti-splash interior bottom dome strainer.

OPTIONS (Check/specify appropriate options)

PIPE SIZE

- 3,4 [76,102]
- 2,3,4 [51,76,102]
- 2,3,4 [51,76,102]

(Specify size/type) **OUTLET**

- _____ IC Inside Caulk
- _____ NH No-Hub
- _____ NL Neo-Loc

'E' BODY HT. DIMENSION

- 9 [229]
- 9 [229]
- 8-7/16 [214]

PREFIXES

- ___ ZN Cast Iron Body with White A.R.E. Interior, 8-9/16 [217] Round Nickel Bronze Frame and Full Grate with 1/2 [13] Square Openings.*

SUFFIXES

- | | |
|---|--|
| ___ -K Anchor Flange with Seepage Holes | ___ -8 Grate w/ 8-7/8 x 3-5/8 x 3-3/4 [225 x 92 x 95] High Oval Funnel |
| ___ -KC Anchor Flange with Seepage Holes and Clamp Collar | ___ -15 Solid Loose Set Cover |
| ___ -LD Less Bottom Dome Strainer | ___ -23 Aluminum Bucket |
| ___ -P 1/2 [13] Trap Primer Connection (See Z1023) | ___ -25 White A.R.C. Bucket |
| ___ -T Square Frame and Round Grate with 1/4 [6] Square Openings (ZN Only) | ___ -31 Stainless Steel Mesh Liner for Bucket |
| ___ -TC Neo-Loc Test Cap Gasket (2, 3, 4 [51, 76, 102] NL Bottom Outlet Only) | ___ -32 Aluminum Dome Strainer |
| ___ -2 1/2 Grate | ___ -33 White A.R.C. Anti-Splash Bottom Dome Strainer |
| ___ -3 3/4 Grate | |
| ___ -4 Full Grate with Center Opening | |
| ___ -6 Grate w/ 6 [152] Diameter x 6 [152] High Funnel | |

* Regularly furnished unless otherwise specified.