



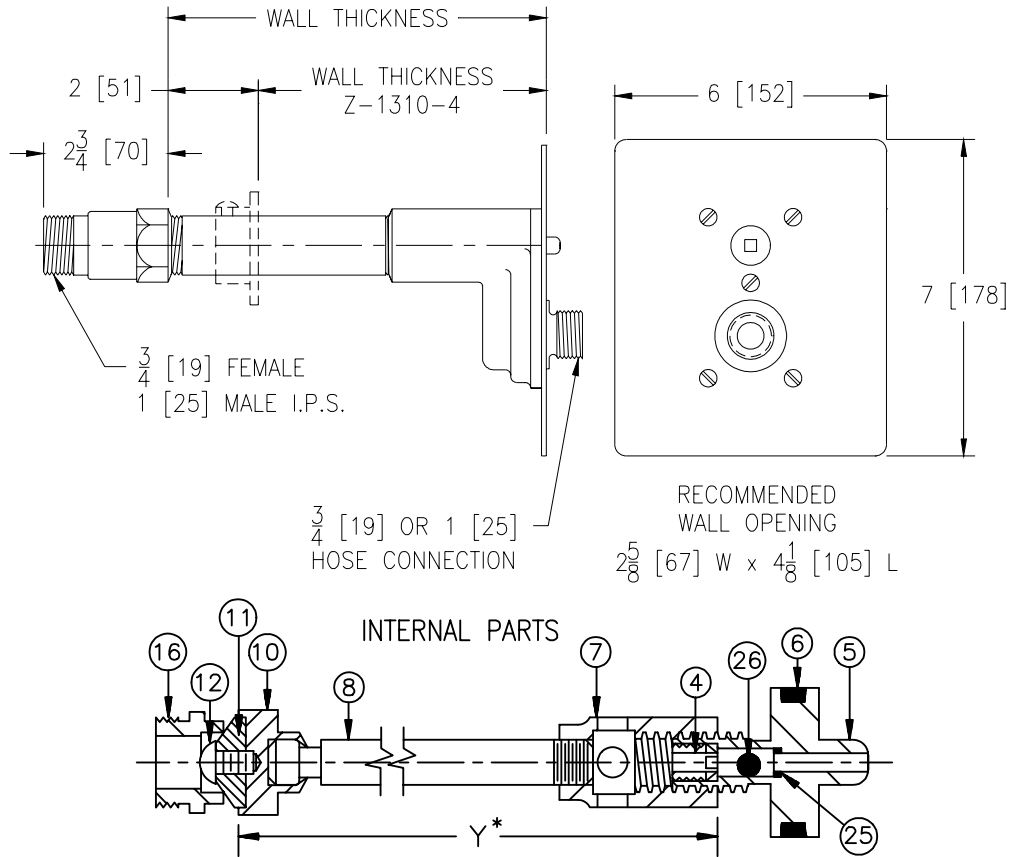
Z1310-79

ECOLOTROL WALL HYDRANT Exposed, Non-Freeze, Anti-Siphon, Automatic Draining

SPECIFICATION SHEET

TAG _____

Dimensional Data (inches and [mm]) are Subject to Manufacturing Tolerances and Change Without Notice



Wall Thickness Inches	Approx. Wt. Lbs. [kg]
4-6-8 [102-152-203]	5 [2]
10-12-14 [254-305-356]	8 [4]
16-18 [406-457]	11 [5]
20-22-24 [508-559-610]	14 [6]

ENGINEERING SPECIFICATION: ZURN-Z1310-79 Exposed Ecolotrol "anti-siphon" automatic draining wall hydrant. Complete with non-freeze integral backflow preventer, bronze casing, all bronze interior parts, non-turning operating rod with free-floating compression closure valve, replaceable bronze seat and seat washer, and combination 3/4 [19] female or 1 [25] male straight IP inlet. Stainless steel face with operating key.

OPTIONS (Check/specify appropriate options)

SUFFIXES

- ____ -RK Hydrant Parts Repair Kit
- ____ -3 3/4 [19] Solder Female Inlet Adapter
- ____ -4 Wall Clamp
- ____ -13 3/4 [19] IP 90° Inlet Elbow w/Union Nut

PARTS LIST

Item	Name	Quan.
6	O-Ring	1
4	Screw	1
5	Operating Screw	1
7	Operating Coupling	1
8	Operating Rod	1
10	Washer Guide	1
11	Washer (neoprene)	1
12	Screw	1
16	Removable Seat	1
25	O-Ring	1
26	Ball	1

*WHEN ORDERING REPLACEMENT PARTS SPECIFY Y DIM.

REV.	DATE: 10/23/02	C.N. NO. 90012
DWG. NO. P-14939 PRODUCT NO. Z1310-79		