

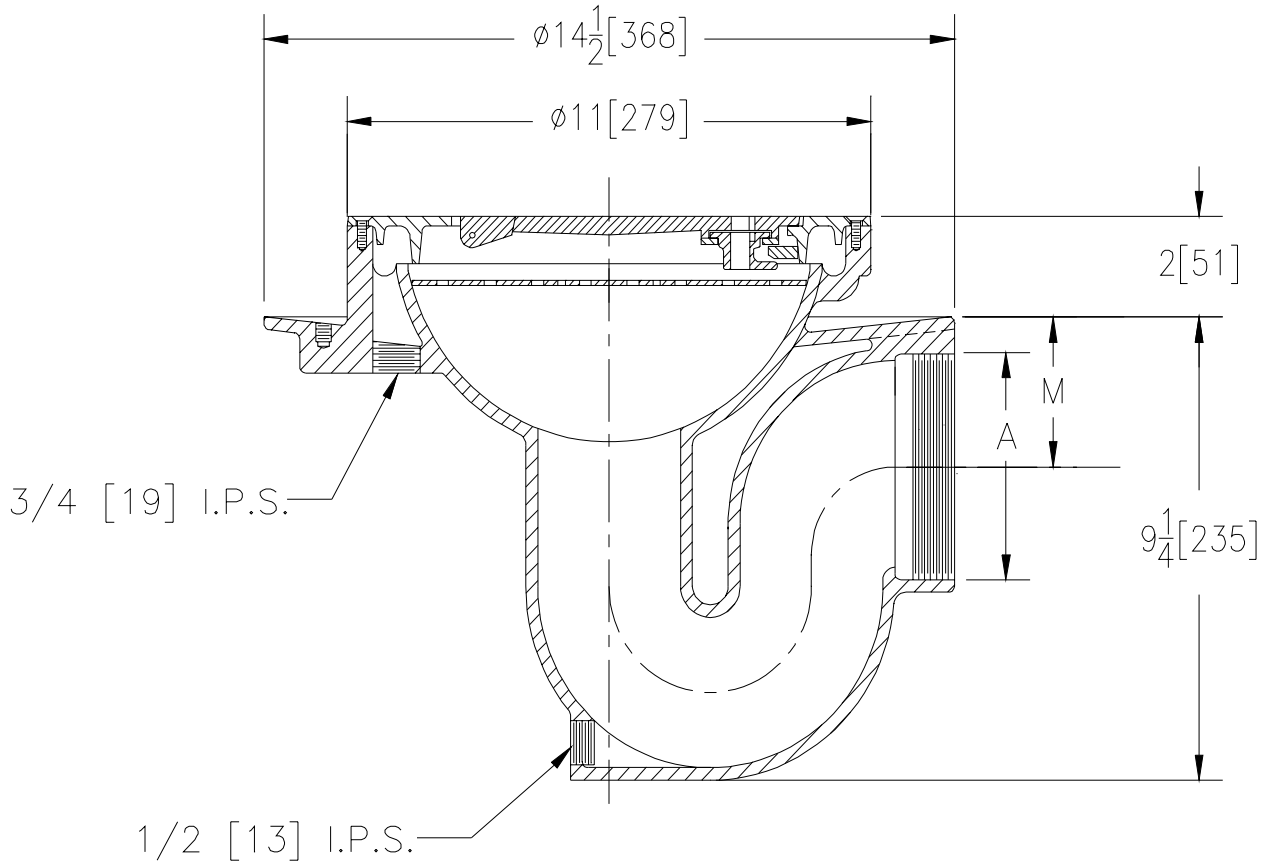


Z-300-79 THOROFLUSH DRAIN

SPECIFICATION SHEET

TAG _____

Dimensional Data (inches and [mm]) are Subject to Manufacturing Tolerances and Change Without Notice



Dimensions in Inches		Approx. Wt. Lbs. [kg]
A- Pipe Size	M	
2 [50]	3 [76]	50 [23]
3 [75]	2 1/2 [64]	
4 [100]	3 [76]	

ENGINEERING SPECIFICATION: ZURN Z-300-79 11 [279] Top Thoroflush Drain with integral double wall trap, cast iron body with white acid resistant epoxy coated exterior and interior, side outlet with seepage pan, nickel bronze flushing rim top, solid hinged locking cover and secondary strainer.

OPTIONS (Check/specify appropriate options)

PIPE SIZE

2, 3, 4 [50, 75, 100]

(Specify size/type) **OUTLET**

_____ IP Threaded

PREFIXES

- _____ ZB- Cast Iron Body w/A.R.C. Interior and Exterior w/Polished Bronze Top
- _____ ZN- Cast Iron Body w/A.R.C. Interior and Exterior w/Polished Nickel Bronze Top*

SUFFIXES

- _____ -C Clamping Collar
- _____ -DX Dex-o-Tex Flange
- _____ -NE Spark Proof Non-Conductive Top
- _____ -VP Vandal Proof Secured Top
- _____ -WB Water Supply Control Box (See Z-1464)

REV. DATE: 3/10/97 C.N. NO. 77656

DWG. NO. P-14448 PRODUCT NO. Z-300-79

*REGULARLY FURNISHED UNLESS OTHERWISE SPECIFIED

ZURN INDUSTRIES, INC. ♦ SPECIFICATION DRAINAGE OPERATION ♦ 1801 Pittsburgh Ave. ♦ Erie, PA 16514

Phone: 814/455-0921 ♦ Fax: 814/454-7929 ♦ World Wide Web: www.zurn.com

In Canada: ZURN INDUSTRIES LIMITED ♦ 3544 Nashua Drive ♦ Mississauga, Ontario L4V1L2 ♦ Phone: 905/405-8272 Fax: 905/405-1292