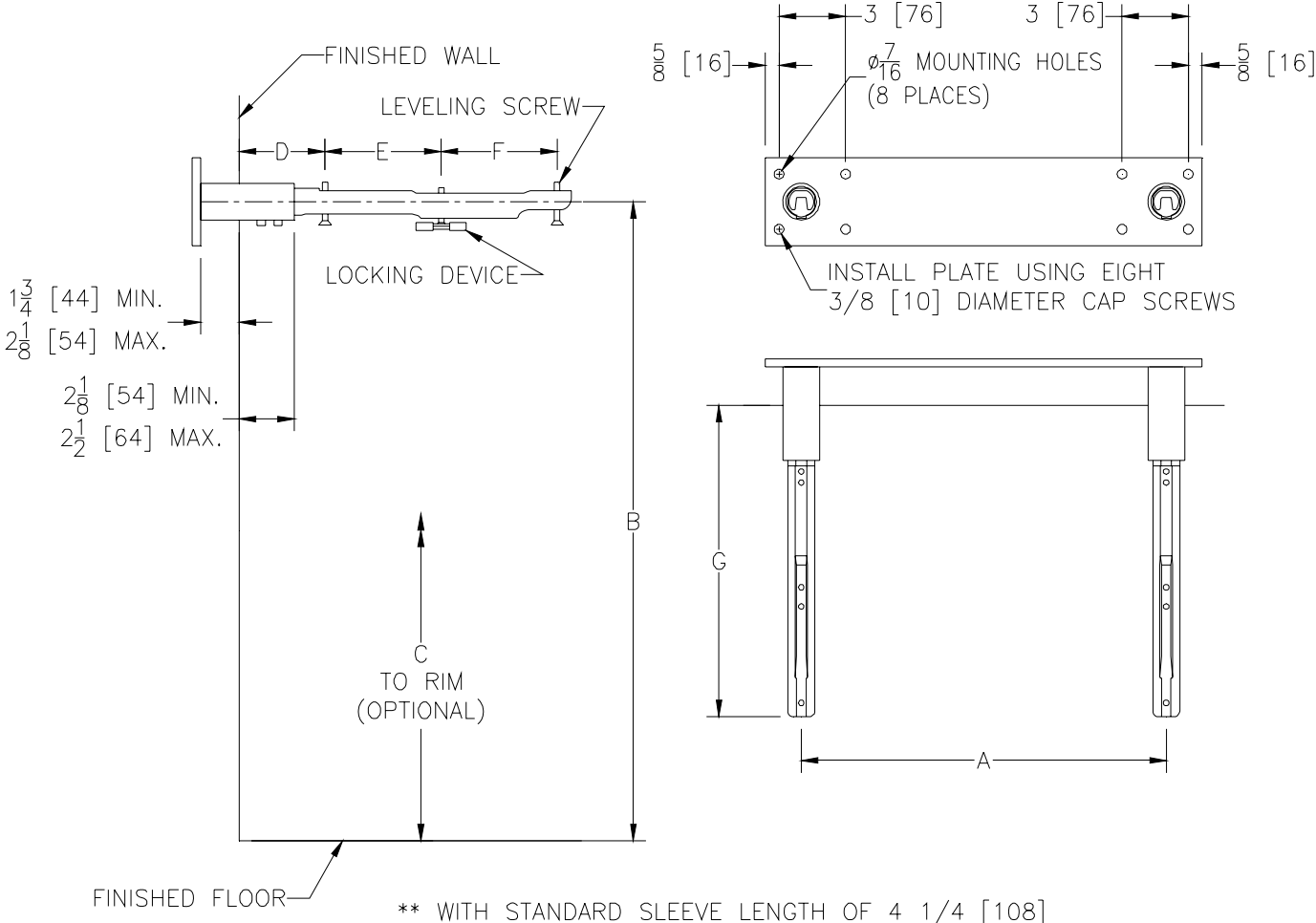




# Z1251-83 CONCEALED ARM SYSTEM WALL SUPPORTED FOR METAL STUD WALL INSTALLATION

TAG \_\_\_\_\_

Dimensional Data (inches and [ mm ]) are Subject to Manufacturing Tolerances and Change Without Notice



Product No.	Approx. Wt. Lbs. [kg]
Z1251-83	18 [8]

**ENGINEERING SPECIFICATION: ZURN Z1251-83**  
 Lavatory support system with concealed arms. Complete with Dura-Coated support plates with integral steel sleeves, concealed arms, plate mounting holes, and fixture mounting fasteners.

**OPTIONS** (Check/specify appropriate options)

**PREFIXES**  
 \_\_\_ Z Dura-Coated System with Concealed Arms\*

**SUFFIXES**  
 \_\_\_ -E2 Concealed Arm Escutcheons 2 [51] Long  
 \_\_\_ -E4 Concealed Arm Escutcheons 4 [102] Long  
 \_\_\_ -E6 Concealed Arm Escutcheons 6 [152] Long  
 \_\_\_ -SL Sleeve Length Over 4 1/4[108] (Specify Length)  
 \_\_\_ -W6 6 [152] Wide Support Plate  
 \_\_\_ -79 Paraplegic Rough-in

REV. B	DATE: 7/21/10	C.N. NO. 111413
DWG. NO. 300663		PRODUCT NO. Z1251-83

\*REGULARLY FURNISHED UNLESS OTHERWISE SPECIFIED