



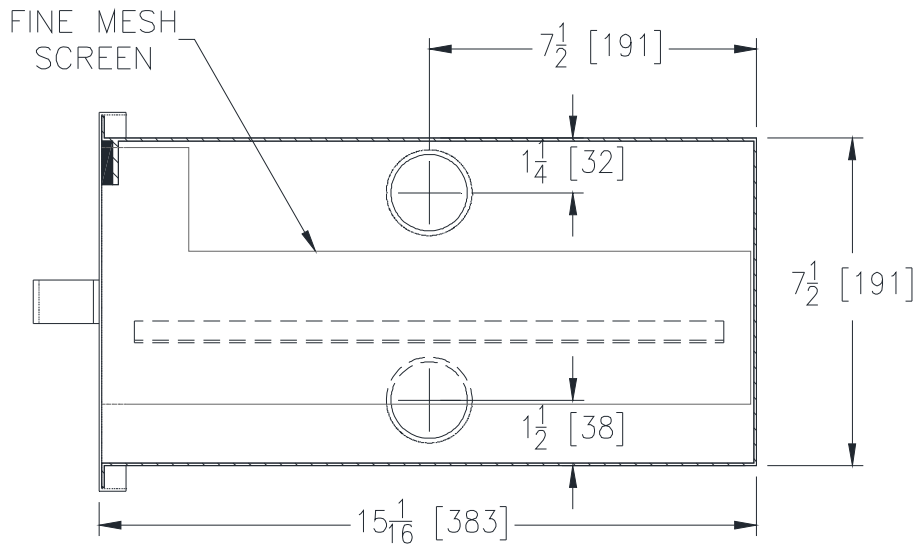
Z1182-77
SIDE ACCESS SOLIDS INTERCEPTOR
W/ FINE MESH SCREEN

SPECIFICATION SHEET

TAG _____

Dimensional Data (inches and [mm]) are Subject to Manufacturing Tolerances and Change Without Notice

Inlet/Outlet Inches [mm]	Flow Rate GPM [LPM]
2 [51]	35 [132]



WIDTH = $11\frac{1}{2}$ [292]

ENGINEERING SPECIFICATION: ZURNZ1182-77

Side access stainless steel solids interceptor for suspended or under sink installations where there are height restrictions for a top removal solids interceptor. Furnished with fine mesh, removable sediment basket attached to a removable, gasketed, latched lid. Basket perforations are 3/32" [2 mm]. All units have a high inlet and a low outlet on each side for right or left hand mounting.

OPTIONS (Check/specify appropriate options)

PREFIXES

___ ZS All Type 304 Fabricated Stainless Steel*

SUFFIXES

___ -YR Replacement Stainless Steel Basket Assembly

* Regularly furnished unless otherwise specified.