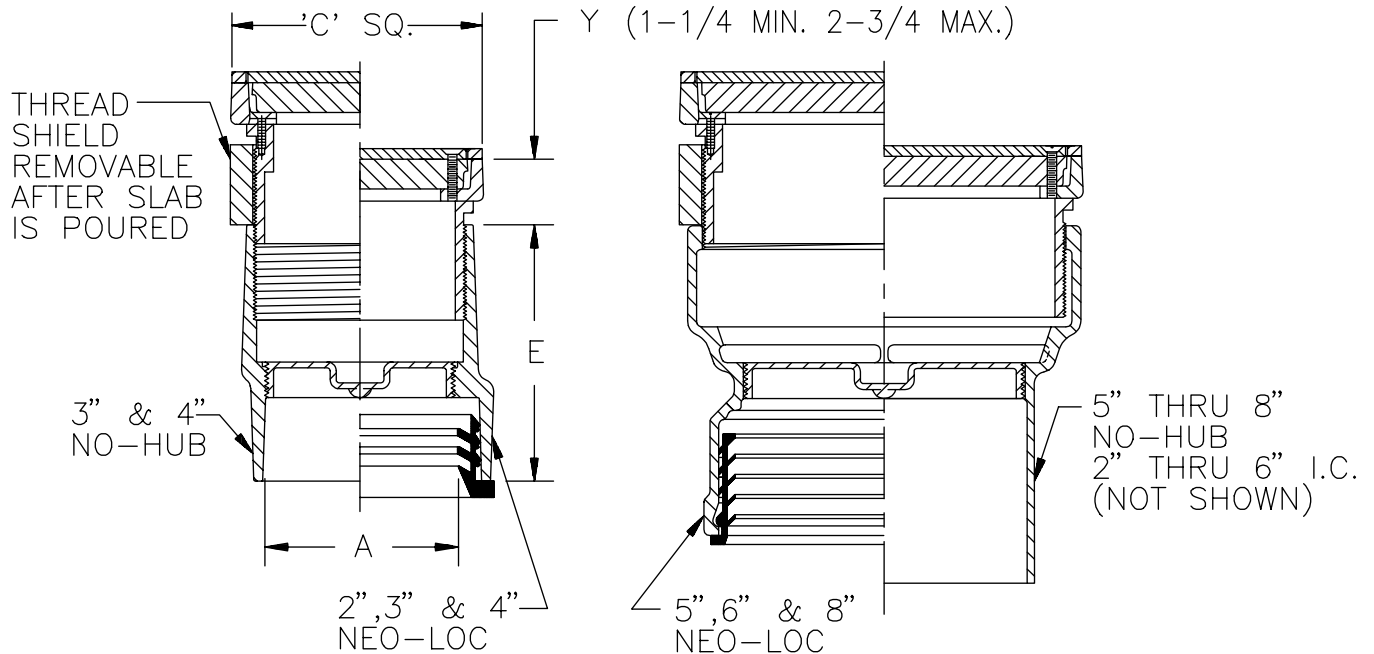




# ZS-1400-79 ADJUSTABLE CLEANOUT

TAG \_\_\_\_\_

Dimensions Subject to Manufacturing Tolerances



Dimensions In Inches			Approx. Wt. Lbs.
A-Pipe Size	C	E	
<b>Inside Caulk</b>			
2	6-1/8	6-7/8	16
3	6-1/8	6-7/8	16
4	7-1/4	6-7/8	19
5	8-1/4	6-7/8	21
6	9-1/4	6-7/8	23
<b>No-Hub</b>			
3	4-1/8	5-3/8	10
4	5-1/8	5-3/8	12
5	7-1/4	7-1/2	18
6	8-1/4	7-1/2	22
8	9-1/4	7-1/2	27
<b>Neo-Loc</b>			
2	4-1/8	5-3/8	10
3	5-1/8	5-3/8	12
4	5-1/8	5-3/8	14
5	7-1/4	6-1/2	18
6	8-1/4	6-1/2	22
8	9-1/4	6-1/2	27

**ENGINEERING SPECIFICATION:** ZURN ZS-1400-79 Adjustable floor cleanout, Dura-Coated cast iron body, frame and cover, with watertight ABS tapered thread plug, and square stainless steel veneer top, adjustable to finished floor.

**OPTIONS** (Check/specify appropriate options)

**SUFFIXES**

- \_\_\_\_\_ **-BP** Bronze Plug
- \_\_\_\_\_ **-CM** Carpet Marker
- \_\_\_\_\_ **-DC** Duresist Cover
- \_\_\_\_\_ **-G** Galvanized Cast Iron
- \_\_\_\_\_ **-GC** Gasketed Cover
- \_\_\_\_\_ **-K** Anchor Flange
- \_\_\_\_\_ **-KC** Anchor Flange w/Clamping Collar
- \_\_\_\_\_ **-VP** Vandal Proof Secured Top

**OUTLET** (Specify type)

- \_\_\_\_\_ **IC** Inside Caulk
- \_\_\_\_\_ **NH** No-Hub
- \_\_\_\_\_ **NL** Neo-Loc

**PIPE SIZE** (Specify size)

- \_\_\_\_\_ 2" thru 6"
- \_\_\_\_\_ 2" thru 6", 8"
- \_\_\_\_\_ 2" thru 6", 8"

**E BODY HT. DIM.**

- See Chart
- See Chart
- See Chart

REV. _____	DATE: <u>4/23/93</u>	C.N. NO. <u>69011</u>
DWG. NO. <u>P-13816</u>	PRODUCT NO. <u>ZS-1400-79</u>	

\*REGULARLY FURNISHED UNLESS OTHERWISE SPECIFIED

ZURN INDUSTRIES, INC. ♦ SPECIFICATION DRAINAGE OPERATION ♦ 1801 Pittsburgh Ave. ♦ Erie, PA 16514

Phone: 814/455-0921 ♦ Fax: 814/454-7929 ♦ World Wide Web: www.zurn.com

In Canada: ZURN INDUSTRIES LIMITED ♦ 3544 Nashua Drive ♦ Mississauga, Ontario L4V1L2 ♦ Phone: 905/405-8272 Fax: 905/405-1292