



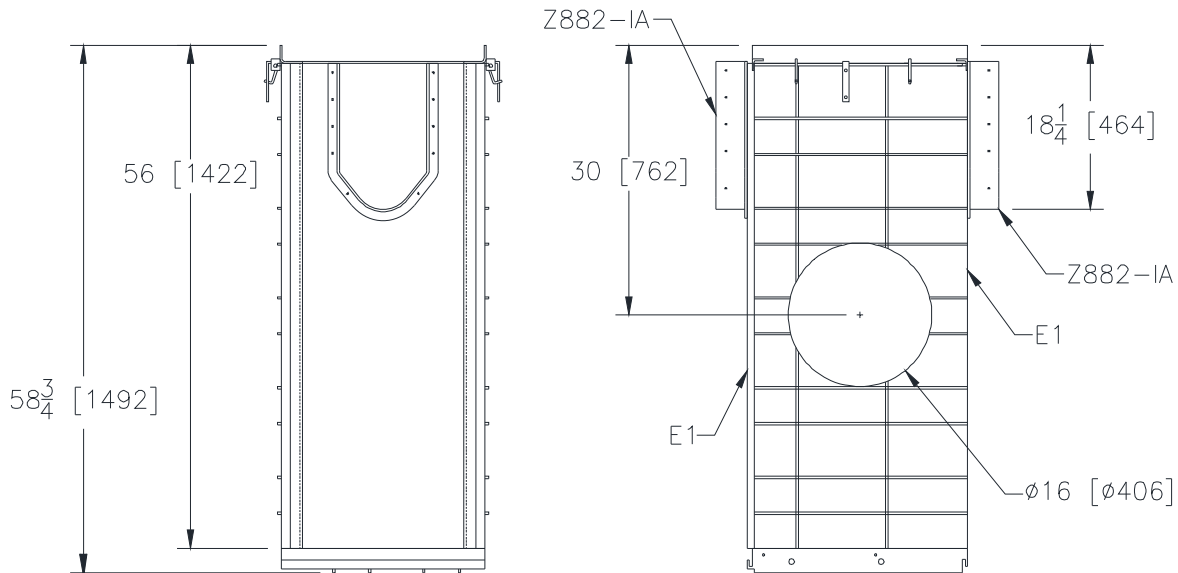
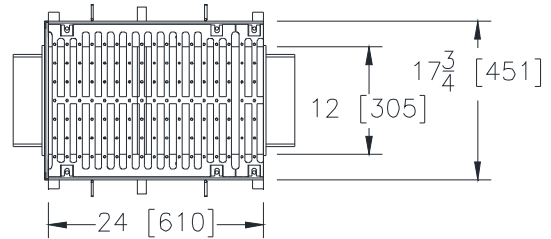
Z874-12-IB-91

24 [610] INLINE CATCH BASIN
W/ CBF FRAME & DGF GRATE

SPECIFICATION SHEET

TAG _____

Dimensional Data (inches and [mm]) are Subject to Manufacturing Tolerances and Change Without Notice



ENGINEERING SPECIFICATION: Zurn Z874-12-IB-91

Modular channel sections are made of HDPE, have interlocking ends, and flat bottom. Basin provided with no slope (neutral). Basin has clips attached to the frame to accommodate vertical re-bar for positioning and anchoring purposes. The frame has a black acid resisting coating that is TGIC polyester powder coat finish with the following characteristics: Film thickness between 2.5-6.0 mills, gloss per ASTM D523: 50+, adhesion, cross hatch per ASTM D3359, Method B: 5B, Mandrel bending test ASTM D522: <=3mm, Impact test per ASTM D2794, no cracks: 60 in-lbs min., Salt spray resistance 500h ASTM B117: max undercut 1mm, no blistering, Pencil hardness ASTM D3363: H-2H. Shall be provided with 16.25" [413mm] Wide Ductile Iron Slotted Grate. Ductile Iron conforms to ASTM Specification A536-84, Grade 80-55-06. Ductile Iron grate is rated class F per the DIN 19580 top load classification. Grate has 0.74" [19mm] wide slots and has an open area of 90 sq. in. per ft. [1906 sq. cm per m] and are supplied in 20" [508] nominal lengths. Four corner lockdown recesses provided for securing option. Complete with (2) Z882 inlet adapters and closed endcaps.

PREFIXES

___ **Z** 40 [2032] High Density Polyethylene Channel, Heavy-Duty Frame w/ anchor studs, Ductile Iron Grate with lockdowns and anchor tabs.*

OPTIONS (Check/specify appropriate options)

- ___ -CBF Black Acid Resistant Coated Frame
- ___ -DB Bottom Dome Strainer
- ___ -E4 4 [102] No-Hub End Outlet
- ___ -E6 6 [152] No-Hub End Outlet
- ___ -E8 8 [203] No-Hub End Outlet
- ___ -GFA Galvanized Frame Assembly
- ___ -SF Type 304 Stainless Steel Top Frame
- ___ -U4 4 [102] No-Hub Bottom Outlet
- ___ -U6 6 [152] No-Hub Bottom Outlet
- ___ -U8 8 [203] No-Hub Bottom Outlet

* Regularly furnished unless otherwise specified.