



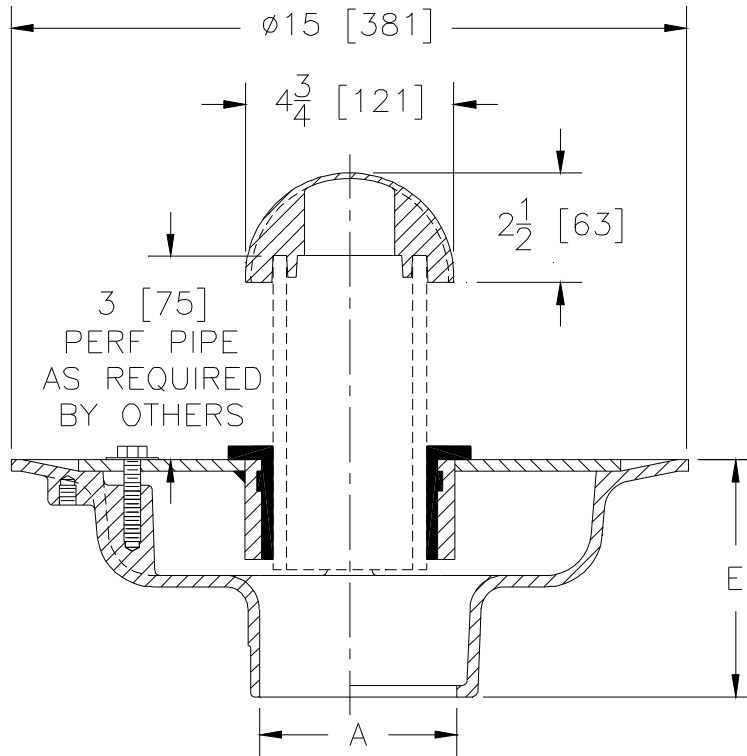
Z-349-78

TERRACE PLANTING AREA DRAIN

SPECIFICATION SHEET

TAG _____

Dimensional Data (inches and [mm]) are Subject to Manufacturing Tolerances and Change Without Notice



A-Pipe Size Inches	Approx. Wt. Lbs. [kg]
2-3-4 [50-75-100]	40 [18]

ENGINEERING SPECIFICATION: ZURN Z-349-78 Terrace Planting area Drain, Dura-Coated cast iron body, membrane flashing clamp, perforated overflow standpipe (by others), and dome.

OPTIONS (Check/specify appropriate options)

PIPE SIZE	(Specify size/type) OUTLET	'E' BODY HT. DIM.
2 thru 6 [50 thru 150]	_____ IC Inside Caulk	5 1/4 [133]
2 thru 6 [50 thru 150]	_____ IG Inside Caulk w/Sealtrol Gskt.	5 1/4 [133]
2 thru 6 [50 thru 150]	_____ IP Threaded	3 3/4 [95]
2 thru 6 [50 thru 150]	_____ NH No-Hub	5 1/4 [133]
2 thru 4 [50 thru 100]	_____ NL Neo-Loc	4 5/8 [117]

PREFIXES

- _____ ZB- D.C.C.I Body, Clamp, w/Polished Bronze Dome
- _____ ZN- D.C.C.I Body, Clamp, w/Polished Nickel Bronze Dome*

SUFFIXES

- _____ -C Underdeck Clamp
- _____ -G Galvanized Cast Iron

REV.	DATE: 8/24/00	C.N. NO. 84792
DWG. NO. P-14791	PRODUCT NO. Z-349-78	

*REGULARLY FURNISHED UNLESS OTHERWISE SPECIFIED