

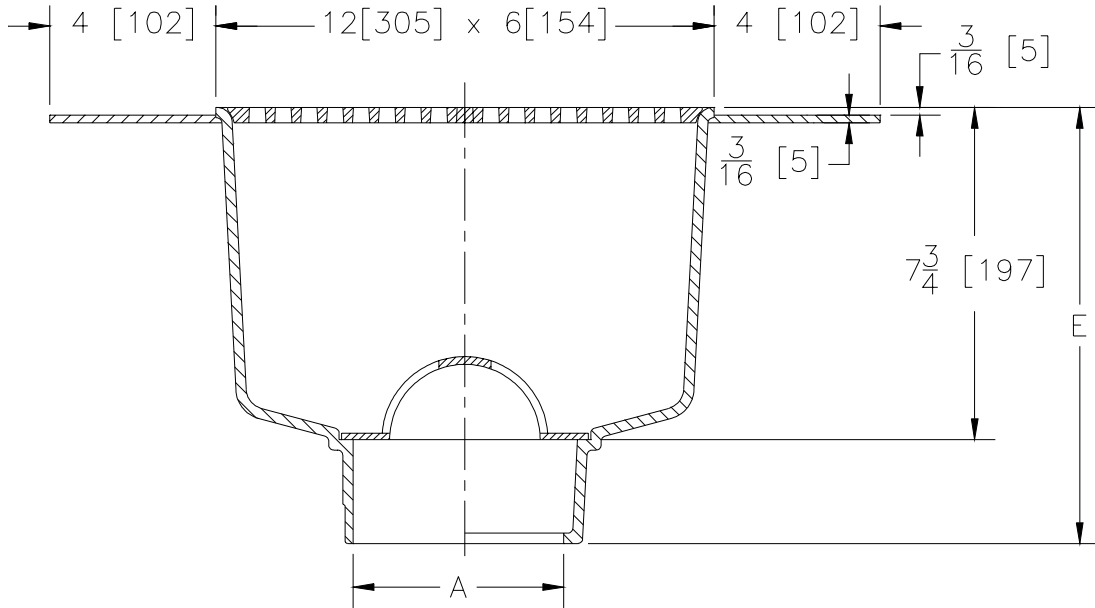


Z-1940-79
12" X 6" A.R.E. SANI-FLOR RECEPTOR
7-3/4" SUMP DEPTH

SPECIFICATION SHEET

TAG _____

Dimensional Data (inches and [mm]) are Subject to Manufacturing Tolerances and Change Without Notice



A- Pipe Size In In.[cm]	Approx. Wt. Lbs [kg]	Grate Open Area Sq. In. [cm ²]
2-3-4[52-76-102]	28[13]	17[110]

ENGINEERING SPECIFICATION: ZURN Z-1940-79 Sani-Flor Receptor 12" x 6" x 7-3/4"[305 x 154 x 196] deep cast iron body with dex-otex flange and rectangular square hole light duty grate, with white acid resisting porcelain enamel interior and top, complete with aluminum anti-splash interior bottom dome strainer.

OPTIONS (Check/specify appropriate options)

OUTLET (Specify type)

- ___ **IC** Inside Caulk
- ___ **NH** No-Hub

PIPE SIZE (Specify size)

- ___ 2",3",4"[52,76,102]
- ___ 2",3",4"[52,76,102]

'E' BODY HT. DIMENSION

Z	ZN
10-1/2"[267]	10-7/8"[276]
10-1/2"[267]	10-7/8"[276]

PREFIXES

- ___ **Z-** Cast Iron Body with White A.R.E. Interior*
- ___ **ZN-** Cast Iron Body with White A.R.E. Interior, 12-1/2"[318] x 6-1/2"[165] N.B. Frame and Full Grate with 1/4"[6] Square Openings

SUFFIXES

- | | |
|--|--|
| ___ -LD (Less) Bottom Dome Strainer | ___ -23 Aluminum Bucket |
| ___ -P 1/2"[13] Trap Primer Connection | ___ -25 White A.R.E. Bucket |
| ___ -S Secondary Strainer | ___ -31 Stl. Steel Mesh Liner for Bucket |
| ___ -1 (Less) Grate | ___ -33 White A.R.E. Anti-Splash Bottom Dome Strainer |
| ___ -2 1/2 Grate | |
| ___ -3 3/4 Grate | |
| ___ -4 Full Grate w/2"[52] Sq. Center Opening | |
| ___ -5 Grate w/4"[102] Dia. x 3-3/4"[95] High Funnel | |
| ___ -6 Grate w/6"[154] Dia. x 6"[154] High Funnel | |
| ___ -7 Grate w/6-3/4"[171] x 3"[76] x 1"[25] High Oval Funnel | |
| ___ -8 Grate w/8-7/8"[225] x 3-5/8"[92] x 3-3/4"[95] High Oval Funnel | |
| ___ -11 Vandal Proof Secured Grate | |
| ___ -15 Solid Loose Set Cover | |
| ___ -16 1/2 Solid Loose Set Cover | |
| ___ -17 3/4 Solid Loose Set Cover | |

*REGULARLY FURNISHED UNLESS OTHERWISE SPECIFIED

REV.	DATE: 7/7/92	C.N. NO. 68294
DWG. NO. P-13717 PRODUCT NO. Z-1940-79		

ZURN INDUSTRIES, INC. ♦ SPECIFICATION DRAINAGE OPERATION ♦ 1801 Pittsburgh Ave. ♦ Erie, PA 16514

Phone: 814/455-0921 ♦ Fax: 814/454-7929 ♦ World Wide Web: www.zurn.com

In Canada: ZURN INDUSTRIES LIMITED ♦ 3544 Nashua Drive ♦ Mississauga, Ontario L4V1L2 ♦ Phone: 905/405-8272 Fax: 905/405-1292