

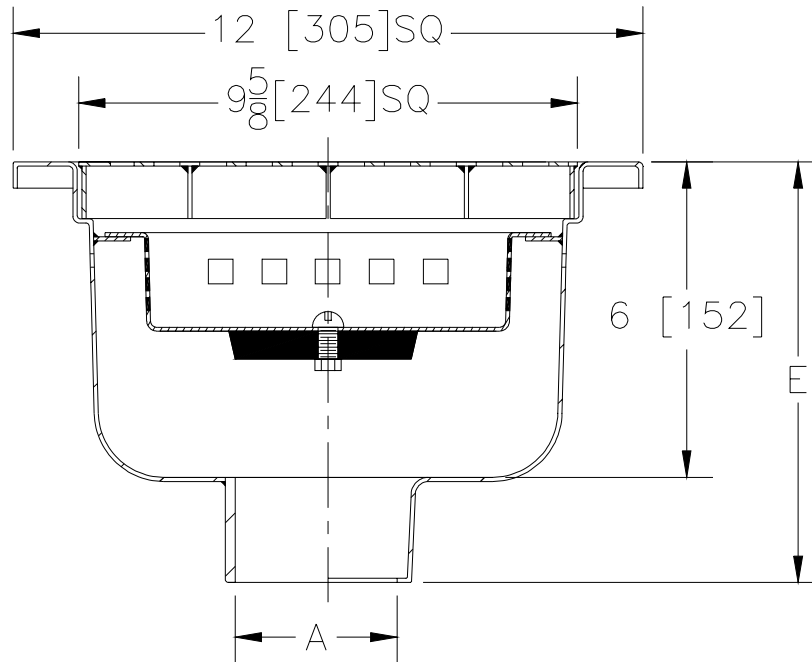


Z1750-131
12 [305]x 12[305] SANI-FLOR RECEPTOR
6 [152] Sump Depth

SPECIFICATION SHEET

TAG _____

Dimensional Data (inches and [mm]) are Subject to Manufacturing Tolerances and Change Without Notice



| A- Pipe Size In. | Approx. Wt. Lbs. | Grate Open Area Sq. In. |
|--------------------|------------------|-------------------------|
| 2[50]-3[75]-4[100] | 15[7] | 23[148] |

ENGINEERING SPECIFICATION: ZURN Z1750-131
 12[305]x12[305]x6[152] deep, 14 gage, All Type 304 (CF8) Stainless Steel light duty Sani-Flor receptor with non-tilt, loose set full grate with 1/2[13] square openings, suspended stainless steel mesh sediment bucket with closure plug and anti-splash interior dome strainer.

OPTIONS (Check/specify appropriate options)

| PIPE SIZE | (Specify size/type) OUTLET | 'E' BODY HT. DIM. |
|-------------------|----------------------------|-------------------|
| 2[50] thru 4[100] | ___ IC Inside Caulk | 8 9/16[214] |
| 2[50] | ___ IP Threaded | 7 5/16[186] |
| 3[75] | ___ IP Threaded | 7 9/16[198] |
| 4[100] | ___ IP Threaded | 8 1/16[205] |
| 2[50] thru 4[100] | ___ NH No-Hub | 8 1/16[205] |
| 2[50] thru 4[100] | ___ NL Neo-Loc | 7 13/16[198] |

PREFIXES

- ___ Z Type 304 (CF8) Stainless Steel Body*
- ___ ZM Type 316 (CF8M) Stainless Steel

SUFFIXES

- | | |
|------------------------------------------------------------------|--------------------------------------------------------------------|
| ___ -DX Dexotex Flange | ___ -2 1/2 Grate |
| ___ -HD Extra Heavy Duty Top Frame & Grate | ___ -3 3/4 Grate |
| ___ -HP Heel-Proof Grate | ___ -4 Full Grate With 3 Square Opening |
| ___ -IP Female Threaded Outlet (2[50], 3[75], 4[100] sizes only) | ___ -5 Grate w/4[100] dia. x 3 3/4[95] High Funnel |
| ___ -K Seepage Pan | ___ -8 Grate w/8 3/8[213] x 3 5/8[92] x 3 3/4[95] High Oval Funnel |
| ___ -KC Seepage Pan With Clamp Collar | ___ -15 Solid Cover |
| ___ -P 1/2[13] Trap Primer Connection | ___ -16 1/2 Solid Cover |
| ___ -1 (Less) Grate | ___ -17 3/4 Solid Cover |
| | ___ -18 Solid Cover With 3[75] Square Center Opening |

*REGULARLY FURNISHED UNLESS OTHERWISE SPECIFIED

| | | |
|------------------|----------------|-----------------------|
| REV. | DATE: 11/26/02 | C.N. NO. 90087 |
| DWG. NO. P-14947 | | PRODUCT NO. Z1750-131 |